

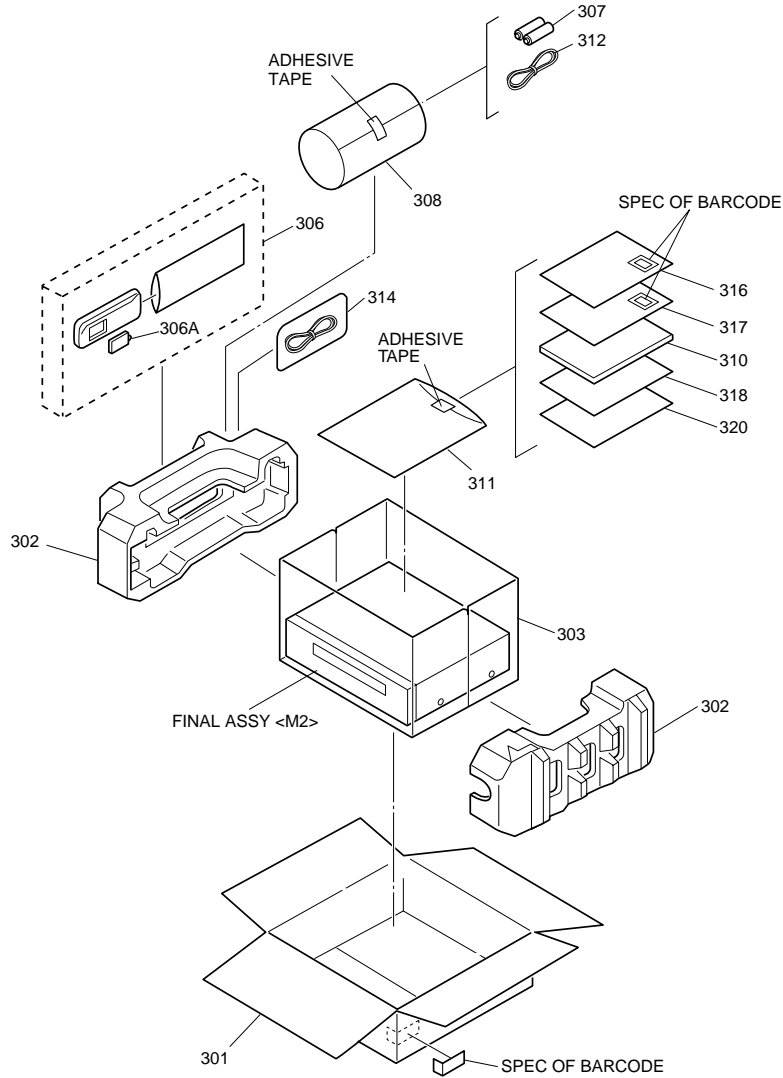
SECTION 5 PARTS LIST

SAFETY PRECAUTION

Parts identified by the \triangle symbol are critical for safety. Replace only with specified part numbers.

5.1 PACKING AND ACCESSORY ASSEMBLY <M1>

The instruction manual to be provided with this product will differ according to the destination.



\triangle REF No. PART No. PART NAME, DESCRIPTION # \triangle REF No. PART No. PART NAME, DESCRIPTION

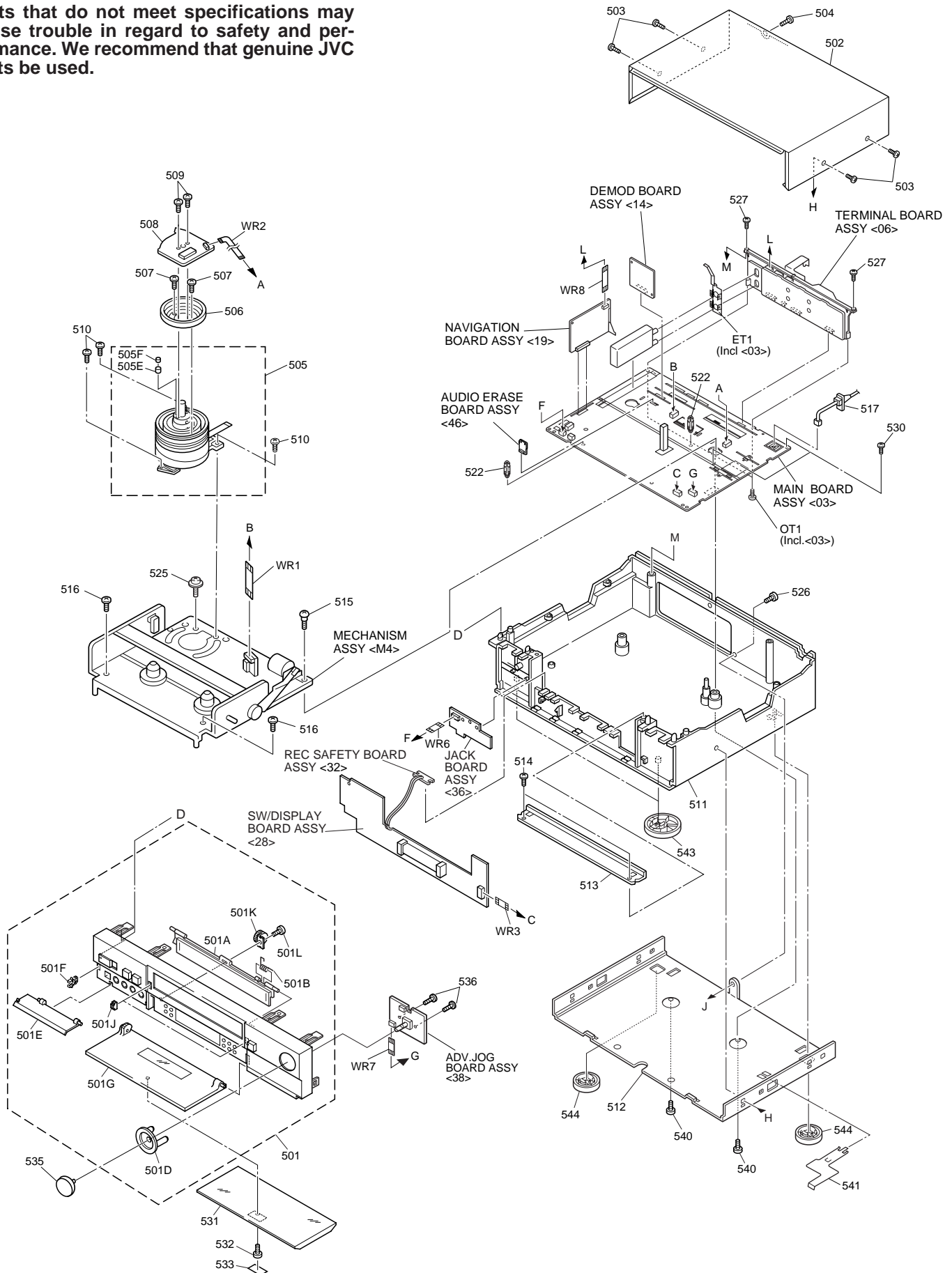
PACKING AND ACCESSORY ASSEMBLY <M1>

301	LP31003-001A	PACKING CASE	\triangle	LPT0484-006A	INST.BOOK(IT),J880EU
302	LP31008-001A	CUSHION ASSY	\triangle	LPT0484-007A	INST.BOOK(DA),J880EU
303	PQM30021-95	POLY BAG	\triangle	LPT0484-008A	INST.BOOK(FI),J880EU
306	LP20667-008B	REMOTE CONTROLLER	\triangle	LPT0484-009A	INST.BOOK(SW),J880EU
306A	LP40225-004A	COVER(BATTERY)	\triangle	LPT0484-010A	INST.BOOK(NO),J880EU
307	—	BATTERY,X2"R6" TYPE	\triangle	LPT0484-011A	INST.BOOK(PT),J880EU
308	QPC02202230P	POLY BAG	\triangle	LPT0484-012A	INST.BOOK(GR),J880EU
\triangle 310	LPT0476-001A	INST.BOOK(EN),J880EK	\triangle	LPT0484-013A	INST.BOOK(CZ),J880EU
\triangle	LPT0484-001A	INST.BOOK(EN),J880EU	\triangle	LPT0484-014A	INST.BOOK(PO),J880EU
\triangle	LPT0484-002A	INST.BOOK(GE),J880EU	\triangle	LPT0484-015A	INST.BOOK(HU),J880EU
\triangle	LPT0484-003A	INST.BOOK(FR),J880EU	311	QPC02503530P	POLY BAG
\triangle	LPT0484-004A	INST.BOOK(DU),J880EU	312	PEAC0300-02	RF CABLE
\triangle	LPT0484-005A	INST.BOOK(SP),J880EU	314	QAL0095-005	LED CABLE ASSY
			316	BT-54013-2	WARRANTY CARD,J880EU
			317	BT-54008-2	GUARANTY CARD,J880EK
			318	LYT0194-001B	Q.CARD(JUK),J880EK
			320	LP40605-001A	SHEET

5.2 FINAL ASSEMBLY <M2>

BEWARE OF BOGUS PARTS

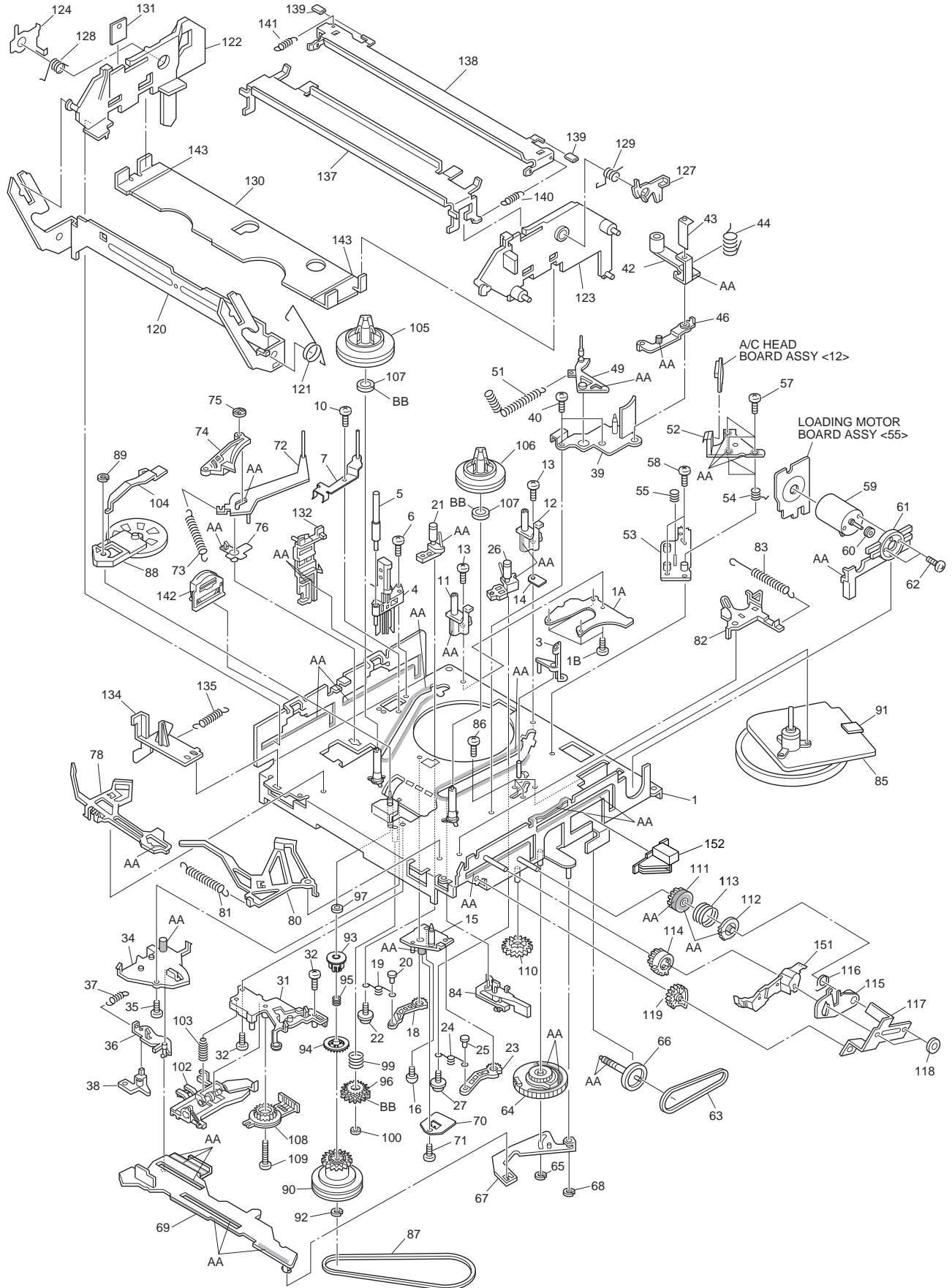
Parts that do not meet specifications may cause trouble in regard to safety and performance. We recommend that genuine JVC parts be used.



#	△ REF No.	PART No.	PART NAME, DESCRIPTION	#	△ REF No.	PART No.	PART NAME, DESCRIPTION

FINAL ASSEMBLY <M2>							
△	501	LP10353-007C	FRONT PANEL ASSY,J880EU				
△		LP10353-008C	FRONT PANEL ASSY,J880EK				
	501A	LP20968-011A	CASSETTE DOOR				
	501B	PQ46448	TORSION SPRING				
	501D	LP31002-001A	ORNAMENT				
	501E	LP20970-006A	DOOR(JACK)				
	501F	PU60109	CATCHER				
	501G	LP20969-001A	DOOR				
	501J	QZW0063-001	MAGNET LATCH,X2				
	501K	QZW0055-003	DAMPER				
	501L	QYTDSF3010Z	SCREW,DAMPER				
△	502	PQ11922-54-14	TOP COVER				
	503	QYTDSF3010R	SCREW,X4 TOP COVER(SIDE)				
	504	QYTDSF3010M	SCREW, TOP COVER(REAR)				
	505	LP20981-014A	DRUM SUB ASSY				
	505E	LP40323-001A	CONTACT				
	505F	LP30004-014A	COMPRESSION SPRING				
	506	PDZ0179-1-4	ROTOR ASSY				
	507	QYSPSP3006Z	SCREW,X2 ROTOR				
△	508	QAR0169-002	STATOR ASSY				
	509	QYSPSPH2606Z	SCREW,X2 STATOR				
	510	QYTDST2610Z	SCREW,X3 DRUM				
△	511	LP10140-003G	BOTTOM CHASSIS				
△	512	PQ11921-1-4	BOTTOM COVER				
	513	LP30312-001B	BRACKET(CHASSIS)				
	514	QYTDSF3010Z	SCREW,X2 BRACKET(CHASSIS)				
	515	LP40700-001A	SPECIAL SCREW,MECHA				
	516	QYTDSF3010Z	SCREW,X2 MECHA				
△	517	QMP4A10-170	POWER CORD,J880EU				
△		QMP51K0-170-K	POWER CORD,J880EK				
	522	LP40226-001A	PC SUPPORT,X2				
	525	PQ40413	SPECIAL SCREW,MECHA				
	526	QYTDSF3010M	SCREW,TERMINAL(REAR)				
	527	QYTSPFG3010Z	SCREW,X2 TERMINAL(TOP)				
	530	QYTDSF3010Z	SCREW,X2 MAIN				
	531	LP30806-002A	WINDOW(DOOR)				
	532	QYSLSF2040D	SCREW,WINDOW(DOOR)				
	533	LP40862-001A	HIFI VHS MARK				
	535	LP31019-005B	KNOB ASSY				
	536	QYTDSF2608Z	SCREW,X2 ADV.JOG				
	540	QYTDSF3010Z	SCREW,X2 BOTTOM COVER				
	541	LP40659-001B	EARTH PLATE(2),BOTTOM COVER				
	543	PQ46617C	FOOT ASS'Y,X2				
	544	PQ35504	FOOT(2),X2				
	WR1	QUQ112-0720CG	FFC WIRE,A/C HEAD				
	WR2	QUQ212-0518CG	FFC WIRE,DRUM				
	WR3	QUQ112-1414CG	FFC WIRE,DISPLAY				
	WR6	QUQ212-0516CG	FFC WIRE,JACK				
	WR7	QUQ212-0416CG	FFC WIRE,ADV.JOG				
	WR8	QUQ112-0826CG	FFC WIRE,NAVIGATION				

5.3 MECHANISM ASSEMBLY <M4>



Classification	Part No.	Symbol in drawing
Grease	KYODO-SH-P	AA
Oil	COSMO-HV56	BB

NOTE: The section marked in AA and BB indicate lubrication and greasing areas.

#	△ REF No.	PART No.	PART NAME, DESCRIPTION	#	△ REF No.	PART No.	PART NAME, DESCRIPTION

MECHANISM ASSEMBLY <M4>							
1		LP20821-002F	MAIN DECK ASSY	74		LP40109-003D	TENSION BRAKE ASSY
1A		LP40275-004B	PLATE(SUPPLY)	75		PQ46302-1-3	ADJUST PIN
1B		QYTDST2605Z	SCREW,X4	76		LP30232-002A	TENSION ARM BEARING
3		LP30492-002B	GIDE POLE GUARD	78		LP40532-009B	MAIN BRAKE ASSY (SUPPLY)
4		NAH0001-001	FULL ERASE HEAD	80		LP40111-014C	MAIN BRAKE ASSY (TAKE UP)
5		LP40098-001B	GUIDE POLE(SUPPLY)	81		LP30003-029A	TENSION SPRING
6		QYTDST2608Z	SCREW	82		LP40112-001F	SUB BRAKE ASSY(TAKE UP)
7		LP40637-002A	TENSION STUD BASE ASSY	83		LP40357-001B	TENSION SPRING
10		QYTDST2606Z	SCREW	84		LP40461-001A	CAPSTAN BRAKE ASSY
11		LP30409-002C	UV CATCHER 2(SUPPLY)	85		QAR0132-001	CAPSTAN MOTOR
12		LP30409-002C	UV CATCHER 2(TAKE UP)	86		QYTDSF2606M	SCREW,X3
13		QYTPST2606Z	SCREW,X2	87		LP30005-008A	BELT,CAPSTAN MOTOR
14		PQ40919-10	SPACER	88		LP40114-011B	IDLER ARM ASSY
15		LP30223-003C	LOADING ARM GEAR SHAFT	89		LP30016-001A	SLIT WASHER
16		QYTDST2606Z	SCREW	90		LP40593-003B	CLUTCH UNIT 3
18		LP30224-001B	LOADING ARM GEAR(SUPPLY)	91		LP30002-097A	SPACER,CAPSTAN MOTOR
19		LP40099-001A	TORSION ARM	92		PQM30017-47	SLIT WASHER
20		LP40100-001A	PIN	93		LP30696-002A	CLUTCH GEAR 4
21		LP40101-006A	POLE BASE ASSY(SUPPLY)	94		LP30697-003A	COUPLING GEAR
22		QYSPSTG2606Z	SCREW	95		LP40554-002A	COMPRESSION SPRING
23		LP40103-002B	LOADING ARM GEAR(TAKE UP)	96		LP40442-001A	DIRECT GEAR
24		LP40099-001A	TORSION ARM	99		LP40483-002A	COMPRESSION SPRING
25		LP40100-001A	PIN	100		LP30016-001A	SLIT WASHER
26		LP40104-006A	POLE BASE ASSY(TAKE UP)	102		LP40484-003B	CHANGE LEVER ASSY
27		QYSPSTG2606Z	SCREW	103		LP40512-002B	COMPRESSION SPRING
31		LP20233-004B	ROTARY ENCODER GUIDE	104		LP30236-002C	IDLER LEVER
32		QYTPST2606Z	SCREW	105		LP20237-003B	REEL DISK ASSY(SUPPLY)
34		LP30226-004E	CONTROL PLATE GUIDE	106		LP20238-003B	REEL DISK ASSY(TAKE UP)
35		QYTPST2605Z	SCREW	107		LP30017-015A	SPACER,X2
36		LP30249-003B	TAKE UP LEVER	108		QSW0554-003	ROTARY ENCODER
37		LP30003-006A	TENSION SPRING	109		LP40746-001A	SPECIAL SCREW
38		LP40119-002A	TAKE UP HEAD	110		LP30237-002B	CASSETTE GEAR
39		LP20234-004B	LID GUIDE	111		LP30239-002G	LIMIT GEAR(1)
40		QYTDST2606Z	SCREW,X2	112		LP30240-002G	LIMIT GEAR(2)
42		LP40105-003A	PINCH ROLLER ARM ASSY	113		LP40136-001E	TORSION SPRING
43		LP40753-001A	PINCH ROLLER SHEET 3	114		LP30242-002A	RELAY GEAR
44		LP40148-002A	TORSION SPRING	115		LP30339-002E	OPENER GUIDE
46		LP40149-001C	PRESS LEVER ASSY	116		LP40545-001A	TORSION SPRING
49		LP40106-007A	GUIDE ARM ASSY	117		LP40214-001B	C.H.BRACKET
51		LP40134-001C	TENSION SPRING	118		PQM30017-47	SLIT WASHER,X2
52		QAH0010-005	AC HEAD	119		LP30243-002A	DRIVE GEAR
53		LP30228-001C	HEAD BASE	120		LP20240-001G	DRIVE ARM
54		LP30004-013A	COMPRESSION SPRING,X3	121		LP40137-001A	TORSION SPRING
55		LP40236-001A	COMPRESSION SPRING	122		LP10081-002M	SIDE HOLDER(L)
57		LP40213-002B	SPECIAL SCREW,X3	123		LP10082-002U	SIDE HOLDER(R)
58		QYTDST2608Z	SCREW,X2	124		LP30255-006B	LOCK LEVER(L)
59		QAR0023-001	LOADING MOTOR	127		LP30256-001H	LOCK LEVER(R)
60		PQ43546-1-2	MOTOR PULLEY	128		LP40168-003A	TORSION SPRING(L)
61		LP30230-003D	MOTOR GUIDE	129		LP40218-001B	TORSION SPRING(R)
62		QYTPSP3003Z	SCREW,X2	130		LP30257-001G	CASSETTE HOLDER
63		LP30005-003A	BELT,LOADING MOTOR	131		PQ40919-30	SPACER(EARTH)
64		LP20791-002D	CONTROL CAM	132		LP30244-002G	GUIDE RAIL
65		PQM30017-24	SLIT WASHER	134		LP30245-002F	REC SAFETY LEVER
66		LP40120-001A	WORM GEAR	135		LP30003-004A	TENSION SPRING
67		LP40107-002A	LINK LEVER ASSY	137		LP20578-001C	TOP GUIDE
68		PQM30017-24	SLIT WASHER	138		LP30500-001C	HOLD PLATE
69		LP10284-002E	CONTROL PLATE	139		LP40450-003A	PAD,X2
70		LP40379-001B	CONTROL BRACKET(1)	140		LP30003-025B	TENSION SPRING
71		QYTDSF2608M	SCREW	141		LP30003-024A	TENSION SPRING
72		LP40108-002A	TENSION ARM ASSY	142		LP40481-003A	ROLLER CAM ASSY
73		LP30003-010A	TENSION SPRING	143		LP30019-014A	PAD,X2
				151		LP20324-003B	DOOR OPENER
				152		LP30493-001B	START SENSOR CAP

5.4 ELECTRICAL PARTS LIST

#	△ REF No.	PART No.	PART NAME, DESCRIPTION

MAIN BOARD ASSEMBLY <03>			
PW1		LPA10147-11B1	MAIN BOARD ASSY
IC1		JCP8050-MVA	IC
		or JCP8050-MSA	IC
IC3001		HD6432194SBD16F	IC
		or HD64F2194CFD16	IC
IC3002		S-80727AN-DQ-X	IC
		or S-80827ANUP-W	IC
		or R3111H271A	IC
IC3003		AT24C16N-10SC-X	IC
		or BR24C16F	IC
		or X24C16S	IC
		or 24LC16B/SN-X	IC
IC3004		BA6956AN	IC
IC3601		BU2090FS	IC
IC3651		BU2090FS	IC
IC5101		STR-G6551	IC
IC5301		LA5644	IC
Q1		2SC4081/S/-X	TRANSISTOR
Q2		2SC4081/S/-X	TRANSISTOR
Q3		2SC4081/S/-X	TRANSISTOR
Q4		2SC4081/S/-X	TRANSISTOR
Q10		2SA1576A/QR/-X	TRANSISTOR
Q13		DTC144WU	TRANSISTOR
		or PDTC144WU	TRANSISTOR
		or RN1309	TRANSISTOR
		or UN521E	TRANSISTOR
Q21		2SB1218A/QR/-X	TRANSISTOR
		or 2PA1576R/R/-X	TRANSISTOR
		or 2SA1576A/QR/-X	TRANSISTOR
Q24		2SB1218A/QR/-X	TRANSISTOR
		or 2SA1576A/QR/-X	TRANSISTOR
		or 2PA1576R/R/-X	TRANSISTOR
Q38		2SD1819A/QRS/-X	TRANSISTOR
		or 2SC4081/QRS/-X	TRANSISTOR
		or 2PC4081/R/-X	TRANSISTOR
Q41		DTC144WU	TRANSISTOR
		or PDTC144WU	TRANSISTOR
		or RN1309	TRANSISTOR
		or UN521E	TRANSISTOR
Q2001		2SC4081/QRS/-X	TRANSISTOR
		or 2PC4081/R/-X	TRANSISTOR
		or 2SD1819A/QRS/-X	TRANSISTOR
Q2002		2SC4081/QRS/-X	TRANSISTOR
		or 2SD1819A/QRS/-X	TRANSISTOR
		or 2PC4081/R/-X	TRANSISTOR
Q2003		DTA144WU	TRANSISTOR
		or PDTA144WU	TRANSISTOR
		or UN511E	TRANSISTOR
		or RN2309	TRANSISTOR
Q2004		DTC144WU	TRANSISTOR
		or PDTC144WU	TRANSISTOR
		or RN1309	TRANSISTOR
		or UN521E	TRANSISTOR
Q2011		DTC144WU	TRANSISTOR
		or PDTC144WU	TRANSISTOR
		or RN1309	TRANSISTOR
		or UN521E	TRANSISTOR

#	△ REF No.	PART No.	PART NAME, DESCRIPTION
Q2052		2SA1576A/QR/-X	TRANSISTOR
		or 2SB1218A/QR/-X	TRANSISTOR
		or 2PA1576R/R/-X	TRANSISTOR
Q2053		DTC144WU	TRANSISTOR
		or PDTC144WU	TRANSISTOR
		or RN1309	TRANSISTOR
		or UN521E	TRANSISTOR
Q2054		2SA1576A/QR/-X	TRANSISTOR
		or 2PA1576R/R/-X	TRANSISTOR
		or 2SB1218A/QR/-X	TRANSISTOR
Q2061		2SC4081/QRS/-X	TRANSISTOR
		or 2SD1819A/QRS/-X	TRANSISTOR
		or 2PC4081/R/-X	TRANSISTOR
Q2062		2SA1576A/QR/-X	TRANSISTOR
		or 2PA1576R/R/-X	TRANSISTOR
		or 2SB1218A/QR/-X	TRANSISTOR
Q2251		DTA144WU	TRANSISTOR
		or PDTA144WU	TRANSISTOR
		or RN2309	TRANSISTOR
		or UN511E	TRANSISTOR
Q2252		DTC114EU	TRANSISTOR
		or PDTC114EU	TRANSISTOR
		or RN1302	TRANSISTOR
		or UN5211	TRANSISTOR
Q3001		2SD1819A/QRS/-X	TRANSISTOR
		or 2SC4081/QRS/-X	TRANSISTOR
		or 2PC4081/R/-X	TRANSISTOR
Q3002		PTZ-NV16	PHOTO TRANSISTOR
		or PTZ-NV16A	PHOTO TRANSISTOR
Q3003		PTZ-NV16	PHOTO TRANSISTOR
		or PTZ-NV16A	PHOTO TRANSISTOR
Q3004		2SD1819A/QRS/-X	TRANSISTOR
		or 2PC4081/R/-X	TRANSISTOR
		or 2SC4081/QRS/-X	TRANSISTOR
Q3005		2SD1819A/QRS/-X	TRANSISTOR
		or 2SC4081/QRS/-X	TRANSISTOR
		or 2PC4081/R/-X	TRANSISTOR
Q3007		UN521E	TRANSISTOR
		or RN1309	TRANSISTOR
		or DTC144WU	TRANSISTOR
		or PDTC144WU	TRANSISTOR
Q3009		UN521E	TRANSISTOR
		or DTC144WU	TRANSISTOR
		or PDTC144WU	TRANSISTOR
		or RN1309	TRANSISTOR
Q4001		UN5211	TRANSISTOR
		or RN1302	TRANSISTOR
		or DTC114EU	TRANSISTOR
		or PDTC114EU	TRANSISTOR
Q4002		UN5211	TRANSISTOR
		or RN1302	TRANSISTOR
		or DTC114EU	TRANSISTOR
		or PDTC114EU	TRANSISTOR
Q4003		UN5211	TRANSISTOR
		or RN1302	TRANSISTOR
		or DTC114EU	TRANSISTOR
		or PDTC114EU	TRANSISTOR
Q5301		2SB1256	TRANSISTOR
Q5302		DTC114TU	TRANSISTOR
		or PDTC114TU	TRANSISTOR
		or RN1311	TRANSISTOR

#	△	REF No.	PART No.	PART NAME, DESCRIPTION		#	△	REF No.	PART No.	PART NAME, DESCRIPTION
			or UN5215	TRANSISTOR					or ERA18-04-T2	FR DIODE
Q5303			2SD2144S/UV/-T	TRANSISTOR					or 1SR153-400-T2	FR DIODE
Q5304			2SD1450/ST/-T	TRANSISTOR					or 10ELS4	FR DIODE
			or 2SD1302/ST/-T	TRANSISTOR		D5103		AU01Z	FR DIODE	
Q5305			UN5111	TRANSISTOR					or ERA18-02-T2	FR DIODE
			or PDTA114EU	TRANSISTOR					or PG104RS	FR DIODE
			or RN2302	TRANSISTOR					or 10ELS2	FR DIODE
			or DTA114EU	TRANSISTOR					or 1SR153-400-T2	FR DIODE
Q5310			DTC114EU	TRANSISTOR		D5201		AK04	DIODE	
			or PDTC114EU	TRANSISTOR					or 1S4	SB DIODE
			or RN1302	TRANSISTOR					or 11EQS04	SB DIODE
			or UN5211	TRANSISTOR		D5202		FML-12S	FR DIODE	
Q5311			2SA1576A/RS/-X	TRANSISTOR					or FCF06A20	FR DIODE
Q5312			2SD2144S/UV/-T	TRANSISTOR					or ER602FCT	FR DIODE
Q5318			DTA114EU	TRANSISTOR					or SF5LC20U	FR DIODE
			or PDTA114EU	TRANSISTOR					or YG901C2	FR DIODE
			or RN2302	TRANSISTOR		D5209		ERA18-02-T2	FR DIODE	
			or UN5111	TRANSISTOR					or PG104RS	FR DIODE
Q5320			2SB1256	TRANSISTOR					or 10ELS2	FR DIODE
Q5321			DTC114TU	TRANSISTOR					or 1SR153-400-T2	FR DIODE
			or PDTC114TU	TRANSISTOR		D5210		AU01Z	FR DIODE	
			or RN1311	TRANSISTOR					or ERA18-02-T2	FR DIODE
			or UN5215	TRANSISTOR					or PG104RS	FR DIODE
Q5322			DTA114EU	TRANSISTOR					or 10ELS2	FR DIODE
			or PDTA114EU	TRANSISTOR					or 1SR153-400-T2	FR DIODE
			or RN2302	TRANSISTOR		D5211		AU01Z	FR DIODE	
			or UN5111	TRANSISTOR					or PG104RS	FR DIODE
Q6030			2SB1218A/QR/-X	TRANSISTOR					or 1SR153-400-T2	FR DIODE
			or 2SA1576A/QR/-X	TRANSISTOR					or ERA18-02-T2	FR DIODE
			or 2PA1576/R/-X	TRANSISTOR					or 10ELS2	FR DIODE
Q6031			DTC114EU	TRANSISTOR		D5212		RK14LF-B2	BARRIER DIODE	
			or PDTC114EU	TRANSISTOR					or SB240-F26	SB DIODE
			or RN1302	TRANSISTOR					or 21DQ04	BARRIER DIODE
			or UN5211	TRANSISTOR		D5214		ERA18-02-T2	FR DIODE	
Q6032			DTC114EU	TRANSISTOR					or PG104RS	FR DIODE
			or PDTC114EU	TRANSISTOR					or 10ELS2	FR DIODE
			or RN1302	TRANSISTOR					or 1SR153-400-T2	FR DIODE
			or UN5211	TRANSISTOR		D5301		MTZJ15A	ZENER DIODE	
Q7201			2SC1317/RS/-T	TRANSISTOR					or RD15ES/B1/-T2	ZENER DIODE
D3			NRSA02J-0R0X	MG RESISTOR	0Ω, 1/10W	D5302		MTZJ6.8A	ZENER DIODE	
D6			MTZJ5.1C	ZENER DIODE					or RD6.8ES/B1/-T2	ZENER DIODE
D2001			1SS355	DIODE		D5303		MTZJ27C	ZENER DIODE	
D2202			MTZJ8.2C	ZENER DIODE					or RD27ES/B3/-T2	ZENER DIODE
D3001			LNB2301L01VI	LE DIODE		D5304		1SS133	DIODE	
D3002			1SS133	DIODE					or 1SS270A	DIODE
D3003			RD39ES/B3/-T2	ZENER DIODE		D5305		11ES2	DIODE	
			or MTZJ39C	ZENER DIODE					or 1A3G	DIODE
D3004			11E2-T5	DIODE					or ERA15-02-T2	DIODE
D3005			11E2-T5	DIODE		D5306		MTZJ11C	ZENER DIODE	
D3007			1SS355	DIODE					or RD11ES/B3/-T2	ZENER DIODE
D3008			1SS355	DIODE		D5307		1SS133	DIODE	
D4001			1SS355	DIODE					or 1SS270A	DIODE
D4002			1SS355	DIODE		D5309		1SS133	DIODE	
D5001			S1WB/A/60-4102	BRIDGE DIODE					or 1SS270A	DIODE
			or S1WB/A/60-X	BRIDGE DIODE		D5310		MTZJ11C	ZENER DIODE	
			or S1WB(A)60F4072X	BRIDGE DIODE					or RD11ES/B3/-T2	ZENER DIODE
D5101			AU01	FR DIODE		D5314		QUY160-100Y	IM BUS WIRE	
			or ERA18-04-T2	FR DIODE		D5315		11ES2	DIODE	
			or 1SR153-400-T2	FR DIODE					or 1A3G	DIODE
			or 10ELS4	FR DIODE					or ERA15-02-T2	DIODE
D5102			AU01	FR DIODE		D5316		QUY160-100Y	IM BUS WIRE	

#	△ REF No.	PART No.	PART NAME, DESCRIPTION	#	△ REF No.	PART No.	PART NAME, DESCRIPTION
D6002		HZ30-2L-T2 or HZ30-2LTD	ZENER DIODE Z DIODE (M)	R2203		NRSA02J-222X	MG RESISTOR 2.2kΩ,1/10W
R1		NRVA02D-682X	CMF RESISTOR 6.8kΩ,1/10W	R2204		NRSA02J-102X	MG RESISTOR 1kΩ,1/10W
R2		NRVA02D-152X	CMF RESISTOR 1.5kΩ,1/10W	R2205		NRSA02J-102X	MG RESISTOR 1kΩ,1/10W
R3		NRSA02J-822X	MG RESISTOR 8.2kΩ,1/10W	R2206		QRE141J-101Y	RESISTOR 100Ω,1/4W
R4		NRSA02J-0R0X	MG RESISTOR 0Ω,1/10W	R2208		QRE141J-101Y	RESISTOR 100Ω,1/4W
R5		NRSA02J-0R0X	MG RESISTOR 0Ω,1/10W	R2209		QRE141J-101Y	RESISTOR 100Ω,1/4W
R6		NRSA02J-273X	MG RESISTOR 27kΩ,1/10W	R2210		NRSA02J-103X	MG RESISTOR 10kΩ,1/10W
R7		NRSA02J-681X	MG RESISTOR 680Ω,1/10W	R2211		NRSA02J-103X	MG RESISTOR 10kΩ,1/10W
R8		NRSA02J-0R0X	MG RESISTOR 0Ω,1/10W	R2213		NRSA02J-393X	MG RESISTOR 39kΩ,1/10W
R9		NRSA02J-0R0X	MG RESISTOR 0Ω,1/10W	R2215		NRSA02J-153X	MG RESISTOR 15kΩ,1/10W
R21		NRSA02J-222X	MG RESISTOR 2.2kΩ,1/10W	R2217		NRSA02J-0R0X	MG RESISTOR 0Ω,1/10W
R22		NRSA02J-222X	MG RESISTOR 2.2kΩ,1/10W	R2218		NRSA02J-393X	MG RESISTOR 39kΩ,1/10W
R38		NRSA02J-102X	MG RESISTOR 1kΩ,1/10W	R2219		QRE141J-393Y	RESISTOR 39kΩ,1/4W
R40		NRSA02J-222X	MG RESISTOR 2.2kΩ,1/10W	R2220		NRSA02J-393X	MG RESISTOR 39kΩ,1/10W
R41		NRSA02J-392X	MG RESISTOR 3.9kΩ,1/10W	R2222		NRSA02J-123X	MG RESISTOR 12kΩ,1/10W
R42		NRSA02J-681X	MG RESISTOR 680Ω,1/10W	R2223		NRSA02J-123X	MG RESISTOR 12kΩ,1/10W
R46		NRSA02J-331X	MG RESISTOR 330Ω,1/10W	R2224		NRSA02J-123X	MG RESISTOR 12kΩ,1/10W
R48		NRSA02J-102X	MG RESISTOR 1kΩ,1/10W	R2225		NRSA02J-153X	MG RESISTOR 15kΩ,1/10W
R51		NRSA02J-122X	MG RESISTOR 1.2kΩ,1/10W	R2226		NRSA02J-123X	MG RESISTOR 12kΩ,1/10W
R70		NRSA02J-0R0X	MG RESISTOR 0Ω,1/10W	R2227		NRSA02J-123X	MG RESISTOR 12kΩ,1/10W
R77		NRSA02J-103X	MG RESISTOR 10kΩ,1/10W	R2228		NRSA02J-103X	MG RESISTOR 10kΩ,1/10W
R79		NCB21AK-105X	CAPACITOR 1μF,10V	R2229		QRE141J-563Y	RESISTOR 56kΩ,1/4W
R88		NRSA02J-0R0X	MG RESISTOR 0Ω,1/10W	R2232		NRSA02J-680X	MG RESISTOR 68Ω,1/10W
R90		NRSA02J-391X	MG RESISTOR 390Ω,1/10W	R2251		NRSA02J-102X	MG RESISTOR 1kΩ,1/10W
R92		NRSA02J-152X	MG RESISTOR 1.5kΩ,1/10W	R2252		NRSA02J-103X	MG RESISTOR 10kΩ,1/10W
R93		NRSA02J-222X	MG RESISTOR 2.2kΩ,1/10W	R3011		QUY160-100Y	IM BUS WIRE
R104		NRSA02J-682X	MG RESISTOR 6.8kΩ,1/10W	R3012		NRSA02J-0R0X	MG RESISTOR 0Ω,1/10W
R113		NRSA02J-101X	MG RESISTOR 100Ω,1/10W	R3013		NRSA02J-0R0X	MG RESISTOR 0Ω,1/10W
R2001		NRSA02J-681X	MG RESISTOR 680Ω,1/10W	R3016		QUY160-100Y	IM BUS WIRE
R2002		NRSA02J-272X	MG RESISTOR 2.7kΩ,1/10W	R3017		QUY160-100Y	IM BUS WIRE
R2003		QRE141J-101Y	RESISTOR 100Ω,1/4W	R3018		QRE141J-682Y	RESISTOR 6.8kΩ,1/4W
R2005		QRE141J-0R0Y	RESISTOR 0Ω,1/4W	R3019		QUY160-100Y	IM BUS WIRE
R2006		QRE141J-393Y	RESISTOR 39kΩ,1/4W	R3022		NRSA02J-0R0X	MG RESISTOR 0Ω,1/10W
R2007		NRSA02J-393X	MG RESISTOR 39kΩ,1/10W	R3025		NRSA02J-0R0X	MG RESISTOR 0Ω,1/10W
R2008		NRSA02J-123X	MG RESISTOR 12kΩ,1/10W	R3026		NRSA02J-0R0X	MG RESISTOR 0Ω,1/10W
R2009		NRSA02J-123X	MG RESISTOR 12kΩ,1/10W	R3027		NRSA02J-0R0X	MG RESISTOR 0Ω,1/10W
R2010		NRSA02J-123X	MG RESISTOR 12kΩ,1/10W	R3029		NRSA02J-472X	MG RESISTOR 4.7kΩ,1/10W
R2011		NRSA02J-103X	MG RESISTOR 10kΩ,1/10W	R3030		NRSA02J-472X	MG RESISTOR 4.7kΩ,1/10W
R2013		NRSA02J-682X	MG RESISTOR 6.8kΩ,1/10W	R3031		NRSA02J-0R0X	MG RESISTOR 0Ω,1/10W
R2014		NRSA02J-224X	MG RESISTOR 220kΩ,1/10W	R3032		NRSA02J-0R0X	MG RESISTOR 0Ω,1/10W
R2015		NRSA02J-181X	MG RESISTOR 180Ω,1/10W	R3034		NRSA02J-0R0X	MG RESISTOR 0Ω,1/10W
R2016		NRSA02J-393X	MG RESISTOR 39kΩ,1/10W	R3038		NRSA02J-152X	MG RESISTOR 1.5kΩ,1/10W
R2017		NRSA02J-183X	MG RESISTOR 18kΩ,1/10W	R3040		NRSA02J-0R0X	MG RESISTOR 0Ω,1/10W
R2018		NRSA02J-472X	MG RESISTOR 4.7kΩ,1/10W	R3041		NRSA02J-0R0X	MG RESISTOR 0Ω,1/10W
R2019		NRSA02J-472X	MG RESISTOR 4.7kΩ,1/10W	R3042		NRSA02J-0R0X	MG RESISTOR 0Ω,1/10W
R2020		NRSA02J-102X	MG RESISTOR 1kΩ,1/10W	R3044		QUY153-050Y	IM BUS WIRE
R2025		NRSA02J-472X	MG RESISTOR 4.7kΩ,1/10W	R3046		QRE141J-102Y	RESISTOR 1kΩ,1/4W
R2053		NRSA02J-472X	MG RESISTOR 4.7kΩ,1/10W	R3047		QRE141J-102Y	RESISTOR 1kΩ,1/4W
R2056		NRSA02J-101X	MG RESISTOR 100Ω,1/10W	R3048		QRE141J-102Y	RESISTOR 1kΩ,1/4W
R2057		NRSA02J-473X	MG RESISTOR 47kΩ,1/10W	R3049		NRSA02J-331X	MG RESISTOR 330Ω,1/10W
R2058		NRSA02J-183X	MG RESISTOR 18kΩ,1/10W	R3050		NRSA02J-331X	MG RESISTOR 330Ω,1/10W
R2059		NRSA02J-473X	MG RESISTOR 47kΩ,1/10W	R3051		NRSA02J-471X	MG RESISTOR 470Ω,1/10W
R2060		NRSA02J-183X	MG RESISTOR 18kΩ,1/10W	R3052		NRSA02J-471X	MG RESISTOR 470Ω,1/10W
R2061		NRSA02J-273X	MG RESISTOR 27kΩ,1/10W	R3053		NRSA02J-471X	MG RESISTOR 470Ω,1/10W
R2062		NRSA02J-3R3X	MG RESISTOR 3.3Ω,1/10W	R3054		NRSA02J-0R0X	MG RESISTOR 0Ω,1/10W
R2063		NRSA02J-151X	MG RESISTOR 150Ω,1/10W	R3055		NRSA02J-0R0X	MG RESISTOR 0Ω,1/10W
R2064		NRSA02J-473X	MG RESISTOR 47kΩ,1/10W	R3058		NRSA02J-102X	MG RESISTOR 1kΩ,1/10W
R2065		NRSA02J-183X	MG RESISTOR 18kΩ,1/10W	R3060		NRSA02J-102X	MG RESISTOR 1kΩ,1/10W
R2201		NRSA02J-680X	MG RESISTOR 68Ω,1/10W	R3061		NRSA02J-102X	MG RESISTOR 1kΩ,1/10W
R2202		NRSA02J-222X	MG RESISTOR 2.2kΩ,1/10W	R3062		NRSA02J-0R0X	MG RESISTOR 0Ω,1/10W
				R3063		NRSA02J-472X	MG RESISTOR 4.7kΩ,1/10W

#	△	REF No.	PART No.	PART NAME, DESCRIPTION	#	△	REF No.	PART No.	PART NAME, DESCRIPTION	
R3066			QRE141J-472Y	RESISTOR	4.7kΩ,1/4W	R3256		NRSA02J-0R0X	MG RESISTOR	0Ω,1/10W
R3069			NRSA02J-101X	MG RESISTOR	100Ω,1/10W	R3257		NRSA02J-103X	MG RESISTOR	10kΩ,1/10W
R3071			NRSA02J-103X	MG RESISTOR	10kΩ,1/10W	R3258		NRSA02J-103X	MG RESISTOR	10kΩ,1/10W
R3072			NRSA02J-0R0X	MG RESISTOR	0Ω,1/10W	R3260		NRSA02J-103X	MG RESISTOR	10kΩ,1/10W
R3073			NRSA02J-0R0X	MG RESISTOR	0Ω,1/10W	R3261		NRSA02J-103X	MG RESISTOR	10kΩ,1/10W
R3074			QUY160-100Y	IM BUS WIRE		R3671		NRSA02J-103X	MG RESISTOR	10kΩ,1/10W
R3075			NRSA02J-471X	MG RESISTOR	470Ω,1/10W	R3672		NRSA02J-103X	MG RESISTOR	10kΩ,1/10W
R3076			NRSA02J-471X	MG RESISTOR	470Ω,1/10W	R3673		NRSA02J-103X	MG RESISTOR	10kΩ,1/10W
R3079			NRSA02J-472X	MG RESISTOR	4.7kΩ,1/10W	R4001		NRSA02J-472X	MG RESISTOR	4.7kΩ,1/10W
R3083			NRSA02J-0R0X	MG RESISTOR	0Ω,1/10W	R4003		NRSA02J-561X	MG RESISTOR	560Ω,1/10W
R3085			NRSA02J-0R0X	MG RESISTOR	0Ω,1/10W	R4004		NRSA02J-561X	MG RESISTOR	560Ω,1/10W
R3086			NRSA02J-0R0X	MG RESISTOR	0Ω,1/10W	R4005		NRSA02J-562X	MG RESISTOR	5.6kΩ,1/10W
R3087			NRSA02J-0R0X	MG RESISTOR	0Ω,1/10W	R4006		NRSA02J-0R0X	MG RESISTOR	0Ω,1/10W
R3088			NRSA02J-0R0X	MG RESISTOR	0Ω,1/10W	R4007		NRSA02J-102X	MG RESISTOR	1kΩ,1/10W
R3089			NRSA02J-0R0X	MG RESISTOR	0Ω,1/10W	R4008		NRSA02J-102X	MG RESISTOR	1kΩ,1/10W
R3090			NRSA02J-0R0X	MG RESISTOR	0Ω,1/10W	R4009		NRSA02J-102X	MG RESISTOR	1kΩ,1/10W
R3091			NRSA02J-102X	MG RESISTOR	1kΩ,1/10W	R4010		NRSA02J-103X	MG RESISTOR	10kΩ,1/10W
R3094			QUY160-100Y	IM BUS WIRE		R4011		NRSA02J-472X	MG RESISTOR	4.7kΩ,1/10W
R3095			QUY160-100Y	IM BUS WIRE		R4012		NRSA02J-222X	MG RESISTOR	2.2kΩ,1/10W
R3096			QUY160-100Y	IM BUS WIRE		R4013		NRSA02J-102X	MG RESISTOR	1kΩ,1/10W
R3097			NRSA02J-0R0X	MG RESISTOR	0Ω,1/10W	R4014		NRSA02J-0R0X	MG RESISTOR	0Ω,1/10W
R3103			NRSA02J-0R0X	MG RESISTOR	0Ω,1/10W	R4015		NRSA02J-223X	MG RESISTOR	22kΩ,1/10W
R3105			NRSA02J-102X	MG RESISTOR	1kΩ,1/10W	R4016		NRSA02J-103X	MG RESISTOR	10kΩ,1/10W
R3106			NRSA02J-102X	MG RESISTOR	1kΩ,1/10W	R4017		NRSA02J-102X	MG RESISTOR	1kΩ,1/10W
R3201			NRSA02J-103X	MG RESISTOR	10kΩ,1/10W	R4018		NRSA02J-102X	MG RESISTOR	1kΩ,1/10W
R3202			NRSA02J-472X	MG RESISTOR	4.7kΩ,1/10W	R4019		NRSA02J-103X	MG RESISTOR	10kΩ,1/10W
R3203			NRSA02J-103X	MG RESISTOR	10kΩ,1/10W	R4020		NRSA02J-103X	MG RESISTOR	10kΩ,1/10W
R3204			NRSA02J-222X	MG RESISTOR	2.2kΩ,1/10W	R4021		NRSA02J-103X	MG RESISTOR	10kΩ,1/10W
R3205			QRE141J-181Y	RESISTOR	180Ω,1/4W	R5101		QRG02GJ-104	OMF RESISTOR	100kΩ,2W
R3206			QRE141J-183Y	RESISTOR	18kΩ,1/4W	R5102		QRE141J-330Y	RESISTOR	33Ω,1/4W
R3207			NRSA02J-183X	MG RESISTOR	18kΩ,1/10W	R5103		NRSA02J-681X	MG RESISTOR	680Ω,1/10W
R3208			NRSA02J-181X	MG RESISTOR	180Ω,1/10W	R5104		QRG029J-154G	OMF RESISTOR	150kΩ,2W
R3209			NRSA02J-273X	MG RESISTOR	27kΩ,1/10W	R5105		QRT01DJ-R39X	MF RESISTOR	0.39Ω,1W
R3210			NRSA02J-181X	MG RESISTOR	180Ω,1/10W	R5106		NRSA02J-562X	MG RESISTOR	5.6kΩ,1/10W
R3211			NRSA02J-273X	MG RESISTOR	27kΩ,1/10W	R5301		QRE141J-1R0Y	RESISTOR	1Ω,1/4W
R3212			NRSA02J-474X	MG RESISTOR	470kΩ,1/10W	R5302		NRSA02J-102X	MG RESISTOR	1kΩ,1/10W
R3213			NRSA02J-334X	MG RESISTOR	330kΩ,1/10W	R5303		NRSA02J-122X	MG RESISTOR	1.2kΩ,1/10W
R3214			NRSA02J-103X	MG RESISTOR	10kΩ,1/10W	△ R5304		QRZ9005-221X	FUSI RESISTOR	220Ω,1/4W
R3215			NRSA02J-103X	MG RESISTOR	10kΩ,1/10W	R5305		NRSA02J-471X	MG RESISTOR	470Ω,1/10W
R3216			NRSA02J-103X	MG RESISTOR	10kΩ,1/10W	R5306		NRSA02J-683X	MG RESISTOR	68kΩ,1/10W
R3217			NRSA02J-562X	MG RESISTOR	5.6kΩ,1/10W	R5307		NRSA02J-102X	MG RESISTOR	1kΩ,1/10W
R3218			QRE141J-472Y	RESISTOR	4.7kΩ,1/4W	R5308		NRSA02J-472X	MG RESISTOR	4.7kΩ,1/10W
R3219			NRSA02J-472X	MG RESISTOR	4.7kΩ,1/10W	R5309		QRE141J-222Y	RESISTOR	2.2kΩ,1/4W
R3220			NRSA02J-104X	MG RESISTOR	100kΩ,1/10W	R5313		QRE141J-222Y	RESISTOR	2.2kΩ,1/4W
R3222			NRSA02J-472X	MG RESISTOR	4.7kΩ,1/10W	R5314		NRSA02J-102X	MG RESISTOR	1kΩ,1/10W
R3223			NRSA02J-472X	MG RESISTOR	4.7kΩ,1/10W	R5317		NRSA02J-273X	MG RESISTOR	27kΩ,1/10W
R3224			NRSA02J-472X	MG RESISTOR	4.7kΩ,1/10W	R5318		NRSA02J-273X	MG RESISTOR	27kΩ,1/10W
R3225			NRSA02J-103X	MG RESISTOR	10kΩ,1/10W	R5319		QRE141J-221Y	RESISTOR	220Ω,1/4W
R3229			NRSA02J-105X	MG RESISTOR	1MΩ,1/10W	R5321		QRE141J-221Y	RESISTOR	220Ω,1/4W
R3230			NRSA02J-472X	MG RESISTOR	4.7kΩ,1/10W	R5322		NRSA02J-473X	MG RESISTOR	47kΩ,1/10W
R3231			NRSA02J-102X	MG RESISTOR	1kΩ,1/10W	R5323		NRSA02J-473X	MG RESISTOR	47kΩ,1/10W
R3233			NRSA02J-103X	MG RESISTOR	10kΩ,1/10W	R5327		NRVA02D-303X	CMF RESISTOR	30kΩ,1/10W
R3234			NRSA02J-103X	MG RESISTOR	10kΩ,1/10W	R5329		NRSA02J-103X	MG RESISTOR	10kΩ,1/10W
R3235			NRSA02J-332X	MG RESISTOR	3.3kΩ,1/10W	R5330		NRSA02J-103X	MG RESISTOR	10kΩ,1/10W
R3236			NRSA02J-332X	MG RESISTOR	3.3kΩ,1/10W	R5332		NRSA02J-103X	MG RESISTOR	10kΩ,1/10W
R3237			QRE141J-103Y	RESISTOR	10kΩ,1/4W	R5334		QRE141J-103Y	RESISTOR	10kΩ,1/4W
R3238			QRE141J-103Y	RESISTOR	10kΩ,1/4W	R5335		NRSA02J-472X	MG RESISTOR	4.7kΩ,1/10W
R3241			NRSA02J-104X	MG RESISTOR	100kΩ,1/10W	R5336		NRSA02J-222X	MG RESISTOR	2.2kΩ,1/10W
R3242			NRSA02J-472X	MG RESISTOR	4.7kΩ,1/10W	R6020		NRSA02J-102X	MG RESISTOR	1kΩ,1/10W
R3245			NRSA02J-0R0X	MG RESISTOR	0Ω,1/10W	R6021		NRSA02J-102X	MG RESISTOR	1kΩ,1/10W
R3251			NRSA02J-103X	MG RESISTOR	10kΩ,1/10W	R6030		NRSA02J-102X	MG RESISTOR	1kΩ,1/10W

#	△ REF No.	PART No.	PART NAME, DESCRIPTION	#	△ REF No.	PART No.	PART NAME, DESCRIPTION
R6031		NRSA02J-0R0X	MG RESISTOR 0Ω,1/10W	C22		QEKJ0JM-476	E CAPACITOR 47μF,6.3V
R6032		NRSA02J-332X	MG RESISTOR 3.3kΩ,1/10W	C23		NCB21EK-104X	CAPACITOR 0.1μF,25V
R6033		NRSA02J-152X	MG RESISTOR 1.5kΩ,1/10W	C24		NCB21EK-104X	CAPACITOR 0.1μF,25V
R6050		NRSA02J-101X	MG RESISTOR 100Ω,1/10W	C25		NDC21HJ-6R0X	CAPACITOR 6pF,50V
R6051		NRSA02J-101X	MG RESISTOR 100Ω,1/10W	C26		NCB21EK-104X	CAPACITOR 0.1μF,25V
R6052		NRSA02J-101X	MG RESISTOR 100Ω,1/10W	C27		NCB21HK-223X	CAPACITOR 0.022μF,50V
R6060		NRSA02J-103X	MG RESISTOR 10kΩ,1/10W	C28		QEKJ1HM-335	E CAPACITOR 3.3μF,50V
R6061		NRSA02J-103X	MG RESISTOR 10kΩ,1/10W	C29		NCB21EK-333X	CAPACITOR 0.033μF,25V
R6080		NRSA02J-103X	MG RESISTOR 10kΩ,1/10W	C30		NCB21CK-474X	CAPACITOR 0.47μF,16V
R6508		NRSA02J-0R0X	MG RESISTOR 0Ω,1/10W	C31		QEKJ0JM-476	E CAPACITOR 47μF,6.3V
R6510		NRSA02J-0R0X	MG RESISTOR 0Ω,1/10W	C32		QCB11HK-103	CAPACITOR 0.01μF,50V
R6553		QUY160-100Y	IM BUS WIRE	C33		QEKJ1HM-225	E CAPACITOR 2.2μF,50V
R6554		QUY160-100Y	IM BUS WIRE	C34		NCB21EK-104X	CAPACITOR 0.1μF,25V
R7202		NRSA02J-221X	MG RESISTOR 220Ω,1/10W	C35		NCB21HK-103X	CAPACITOR 0.01μF,50V
R7203		NRSA02J-472X	MG RESISTOR 4.7kΩ,1/10W	C36		QEKJ1HM-475	E CAPACITOR 4.7μF,50V
R7204		QRE121J-100Y	RESISTOR 10Ω,1/2W	C38		QEKJ0JM-476	E CAPACITOR 47μF,6.3V
R7251		NRSA02J-750X	MG RESISTOR 75Ω,1/10W	C39		NCB21EK-104X	CAPACITOR 0.1μF,25V
B5		NRSA02J-0R0X	MG RESISTOR 0Ω,1/10W	C40		QEKJ1EM-106	E CAPACITOR 10μF,25V
B9		NRSA02J-0R0X	MG RESISTOR 0Ω,1/10W	C45		QCFB1HZ-104	CAPACITOR 0.1μF,50V
B18		NRSA02J-0R0X	MG RESISTOR 0Ω,1/10W	C51		QEK11HM-105	E CAPACITOR 1μF,50V
B35		NRSA02J-0R0X	MG RESISTOR 0Ω,1/10W	C52		QEKJ1HM-105	E CAPACITOR 1μF,50V
B42		NRSA02J-0R0X	MG RESISTOR 0Ω,1/10W	C53		NDC21HJ-101X	CAPACITOR 100pF,50V
B56		NRSA02J-0R0X	MG RESISTOR 0Ω,1/10W	C62		NCB21EK-104X	CAPACITOR 0.1μF,25V
B2204		NRSA02J-0R0X	MG RESISTOR 0Ω,1/10W	C64		NDC21HJ-220X	CAPACITOR 22pF,50V
B2205		QUY153-050Y	IM BUS WIRE	C65		QEKJ1HM-105	E CAPACITOR 1μF,50V
B3004		NRSA02J-0R0X	MG RESISTOR 0Ω,1/10W	C69		NCB21EK-104X	CAPACITOR 0.1μF,25V
B3005		QUY160-075Y	IM BUS WIRE	C70		NCB21EK-104X	CAPACITOR 0.1μF,25V
B3012		QUY160-200Y	IM BUS WIRE	C94		NRSA02J-0R0X	MG RESISTOR 0Ω,1/10W
B3030		NRSA02J-0R0X	MG RESISTOR 0Ω,1/10W	C104		NCB21HK-103X	CAPACITOR 0.01μF,50V
B3063		NRSA02J-0R0X	MG RESISTOR 0Ω,1/10W	C106		NCB21HK-821X	CAPACITOR 820pF,50V
B3651		NRSA02J-0R0X	MG RESISTOR 0Ω,1/10W	C108		NDC21HJ-680X	CAPACITOR 68pF,50V
B3665		NRSA02J-0R0X	MG RESISTOR 0Ω,1/10W	C109		NCB21CK-224X	CAPACITOR 0.22μF,16V
B5301		NRSA02J-0R0X	MG RESISTOR 0Ω,1/10W	C110		NDC21HJ-820X	CAPACITOR 82pF,50V
B5306		NRSA02J-0R0X	MG RESISTOR 0Ω,1/10W	C114		NDC21HJ-181X	CAPACITOR 180pF,50V
B6001		NRSA02J-0R0X	MG RESISTOR 0Ω,1/10W	C2001		QETN1HM-475	E CAPACITOR 4.7μF,50V
B6032		NRSA02J-0R0X	MG RESISTOR 0Ω,1/10W	C2002		QEKJ1EM-106	E CAPACITOR 10μF,25V
B6566		QUY160-150Y	IM BUS WIRE	C2003		QEKJ0JM-476	E CAPACITOR 47μF,6.3V
B7251		NRSA02J-0R0X	MG RESISTOR 0Ω,1/10W	C2004		NCB21HK-103X	CAPACITOR 0.01μF,50V
B7253		NRSA02J-0R0X	MG RESISTOR 0Ω,1/10W	C2005		QEKJ1HM-475	E CAPACITOR 4.7μF,50V
B7254		NRSA02J-0R0X	MG RESISTOR 0Ω,1/10W	C2006		NCB21HK-123X	CAPACITOR 0.012μF,50V
B7256		QUY160-300Y	IM BUS WIRE	C2007		QEKJ1CM-226	E CAPACITOR 22μF,16V
C1		NCB21HK-103X	CAPACITOR 0.01μF,50V	C2008		QERF1EM-475	E CAPACITOR 4.7μF,25V
C2		NCB21HK-103X	CAPACITOR 0.01μF,50V	C2009		NCB21HK-102X	CAPACITOR 0.001μF,50V
C3		NCB21HK-103X	CAPACITOR 0.01μF,50V	C2010		NCB21HK-152X	CAPACITOR 0.0015μF,50V
C4		NCB21HK-103X	CAPACITOR 0.01μF,50V	C2011		QEKJ1EM-475	E CAPACITOR 4.7μF,25V
C5		QEKJ0JM-476	E CAPACITOR 47μF,6.3V	C2012		QEKJ1EM-475	E CAPACITOR 4.7μF,25V
C6		NCB21HK-103X	CAPACITOR 0.01μF,50V	C2013		NDC21HJ-6R0X	CAPACITOR 6pF,50V
C7		NCB21HK-102X	CAPACITOR 0.001μF,50V	C2016		NDC21HJ-121X	CAPACITOR 120pF,50V
C8		NCB21EK-104X	CAPACITOR 0.1μF,25V	C2021		NCB21HK-682X	CAPACITOR 0.0068μF,50V
C9		QETN1HM-225	E CAPACITOR 2.2μF,50V	C2051		NCB21HK-331X	CAPACITOR 330pF,50V
C10		NDC21HG-151X	CAPACITOR 150pF,50V	C2061		QFLC1HJ-333Z	F CAPACITOR 0.033μF,50V
C11		NCB21EK-104X	CAPACITOR 0.1μF,25V	C2062		NCB21HK-332X	CAPACITOR 0.0033μF,50V
C12		NDC21HJ-470X	CAPACITOR 47pF,50V	C2063		NCB21HK-103X	CAPACITOR 0.01μF,50V
C14		NCB21EK-104X	CAPACITOR 0.1μF,25V	C2064		QEKJ1EM-106	E CAPACITOR 10μF,25V
C15		NCB21HK-103X	CAPACITOR 0.01μF,50V	C2201		NCB21EK-104X	CAPACITOR 0.1μF,25V
C16		NCB21EK-104X	CAPACITOR 0.1μF,25V	C2202		NCB21EK-333X	CAPACITOR 0.033μF,25V
C17		QEKJ1HM-335	E CAPACITOR 3.3μF,50V	C2203		QEKJ1EM-106	E CAPACITOR 10μF,25V
C18		QEKJ1HM-105	E CAPACITOR 1μF,50V	C2204		QDGB1HK-102Y	CAPACITOR 0.001μF,50V
C19		QEKJ1HM-225	E CAPACITOR 2.2μF,50V	C2205		QEKJ1HM-105	E CAPACITOR 1μF,50V
C20		QEKJ1HM-105	E CAPACITOR 1μF,50V	C2206		QEKJ1EM-106	E CAPACITOR 10μF,25V
C21		NCB21EK-104X	CAPACITOR 0.1μF,25V	C2207		QEKJ1CM-476	E CAPACITOR 47μF,16V

#	△	REF No.	PART No.	PART NAME, DESCRIPTION	#	△	REF No.	PART No.	PART NAME, DESCRIPTION	
C2208			QETN1HM-475	E CAPACITOR	C4012			NCB21EK-224X	CAPACITOR	0.22μF,25V
C2209			QERF1HM-104	E CAPACITOR	C4013			NCB21HK-563X	CAPACITOR	0.056μF,50V
C2210			QEKJ1HM-104	E CAPACITOR	C4014			NDC21HJ-101X	CAPACITOR	100pF,50V
C2211			QERF1HM-105	E CAPACITOR	C4015			NDC21HJ-331X	CAPACITOR	330pF,50V
C2212			QEKJ1HM-105	E CAPACITOR	C4016			NDC21HJ-681X	CAPACITOR	680pF,50V
C2213			QEKJ1EM-106	E CAPACITOR	C4017			NCB21HK-222X	CAPACITOR	0.0022μF,50V
C2214			QEKJ1EM-106	E CAPACITOR	△ C5001			QFZ9073-683	F CAPACITOR	0.068μF,250V
C2215			QERF1EM-475	E CAPACITOR	△ C5002			QFZ9051-333	F CAPACITOR	0.033μF,250V
C2216			QEKJ1HM-474	E CAPACITOR	△ C5004			QCZ9071-222	CAPACITOR	0.0022μF,250V
C2217			QEKJ1EM-106	E CAPACITOR	C5006			QEZ0375-686	E CAPACITOR	68μF,400V
C2218			QEKJ1HM-474	E CAPACITOR	C5101			QCZ0212-472	CAPACITOR	0.0047μF,1kV
C2219			QEKJ1EM-106	E CAPACITOR	C5102			QEMU1VM-276	E CAPACITOR	27μF,35V
C2220			QEKJ1HM-475	E CAPACITOR	C5103			QCZ0302-330Z	CAPACITOR	33pF,1kV
C2221			NCB21HK-103X	CAPACITOR	C5104			QFLC1HJ-471Z	F CAPACITOR	470pF,50V
C2222			QEKJ1HM-474	E CAPACITOR	C5201			QEMU0JM-227	E CAPACITOR	220μF,6.3V
C2223			QEKJ1HM-474	E CAPACITOR	C5202			QEMT1CM-827	E CAPACITOR	820μF,16V
C2224			NCB21HK-103X	CAPACITOR	C5203			QEMT1AM-128	E CAPACITOR	1200μF,10V
C2225			QEKJ1HM-475	E CAPACITOR	C5204			QETN2AM-475	E CAPACITOR	4.7μF,100V
C2226			QEKJ1EM-106	E CAPACITOR	C5205			QETN1HM-106	E CAPACITOR	10μF,50V
C2227			NCB21CK-104X	CAPACITOR	C5206			QEMU1EM-187	E CAPACITOR	180μF,25V
C2228			NCB21CK-104X	CAPACITOR	C5207			QETN1CM-227	E CAPACITOR	220μF,16V
C2229			NDC21HJ-101X	CAPACITOR	C5208			QETN1AM-227	E CAPACITOR	220μF,10V
C2230			NDC21HJ-101X	CAPACITOR	C5212			QEMU1VM-127	E CAPACITOR	120μF,35V
C2251			QEKJ1CM-476	E CAPACITOR	C5213			QEMU0JM-227	E CAPACITOR	220μF,6.3V
C2252			NCB21HK-103X	CAPACITOR	C5301			QETM0JM-108	E CAPACITOR	1000μF,6.3V
C2253			NCB21HK-103X	CAPACITOR	C5303			QETN1CM-107	E CAPACITOR	100μF,16V
C2254			NCB21HK-103X	CAPACITOR	C5304			QFVF1HJ-274Z	F CAPACITOR	0.27μF,50V
C2255			NDC21HJ-181X	CAPACITOR	C5305			NCB21HK-103X	CAPACITOR	0.01μF,50V
C3001			NCB21EK-104X	CAPACITOR	C5306			QEKJ0JM-107	E CAPACITOR	100μF,6.3V
C3002			NCB21HK-103X	CAPACITOR	C5307			QEKJ0JM-476	E CAPACITOR	47μF,6.3V
C3003			QEKJ1CM-106	E CAPACITOR	C5308			QETN1CM-107	E CAPACITOR	100μF,16V
C3004			NCB21EK-104X	CAPACITOR	C5309			QETN1CM-107	E CAPACITOR	100μF,16V
C3008			NCB21HK-102X	CAPACITOR	C6014			NCB21HK-103X	CAPACITOR	0.01μF,50V
C3011			QETL0JM-478	E CAPACITOR	C6023			NRSA02J-0R0X	MG RESISTOR	0Ω,1/10W
C3012			QEKJ0JM-107	E CAPACITOR	C6032			NCF21EZ-473X	CAPACITOR	0.047μF,25V
C3015			NCB21EK-104X	CAPACITOR	C6033			NRSA02J-0R0X	MG RESISTOR	0Ω,1/10W
C3016			NCB21EK-104X	CAPACITOR	C6037			NBE20JM-106X	T CAPACITOR	10μF,6.3V
C3022			NCB21EK-104X	CAPACITOR	C6553			QEKJ0JM-337	E CAPACITOR	330μF,6.3V
C3024			NDC21HJ-220X	CAPACITOR	C7202			QETJ0JM-477	E CAPACITOR	470μF,6.3V
C3025			QAT3725-300Z	TRIM CAPACITOR, TIMER CLOCK	L1			QQL29BJ-100Z	COIL	10μH
C3026			NCB21HK-103X	CAPACITOR	L2			QQL071J-101Y	COIL	100μH
C3027			NBE20JM-106X	T CAPACITOR	L3			QQL29BJ-100Z	COIL	10μH
C3030			NBE20JM-226X	T CAPACITOR	L4			QQL29BJ-100Z	COIL	10μH
C3031			NCB21EK-104X	CAPACITOR	L5			QQR0521-012Z	NOISE FILTER	
C3032			NCB21EK-104X	CAPACITOR	L12			QQR0967-001	COIL	12μH
C3033			NCB21EK-104X	CAPACITOR	L13			QQL071J-330Y	COIL	33μH
C3036			NDC21HJ-180X	CAPACITOR	L24			QQL071J-270Y	COIL	27μH
C3037			NDC21HJ-120X	CAPACITOR	L27			QQL071J-330Y	COIL	33μH
C3040			QCFB1HZ-104	CAPACITOR	L28			QQL071J-680Y	COIL	68μH
C3050			NCB21EK-104X	CAPACITOR	L2001			QUY153-050Y	IM BUS WIRE	
C3602			NCB21EK-104X	CAPACITOR	L2251			QQL29BJ-100Z	COIL	10μH
C3652			NCB21EK-104X	CAPACITOR	L2252			QQL29BJ-151Z	COIL	150μH
C4002			NCB21EK-104X	CAPACITOR	L3001			QUY153-050Y	IM BUS WIRE	
C4003			NCB21HK-102X	CAPACITOR	L5201			PELN1184	COIL	33μH
C4004			NBE20JM-226X	T CAPACITOR	L5202			PELN1184	COIL	33μH
C4006			NBE40JM-476X	T CAPACITOR	L6001			QQL29BJ-100Z	COIL	10μH
C4007			NCB21HK-102X	CAPACITOR	L6002			QQL29BJ-100Z	COIL	10μH
C4008			NCB21AK-105X	CAPACITOR	L6004			QQL29BJ-100Z	COIL	10μH
C4009			NCB21HK-563X	CAPACITOR	L6005			QQL29BJ-100Z	COIL	10μH
C4010			NCB21EK-223X	CAPACITOR	L6032			QUY153-050Y	IM BUS WIRE	
C4011			NCB21EK-104X	CAPACITOR	L6501			QUY153-050Y	IM BUS WIRE	

#	△ REF No.	PART No.	PART NAME, DESCRIPTION	
	L7201	QQL01BJ-101Z	COIL	100μH
	X1	QAX0576-001	CRYSTAL RESONATOR	
	X3001	QAX0445-001	CRYSTAL RESONATOR	
	X3002	QAX0527-001	CRYSTAL RESONATOR	
	K2001	NQL103K-R10X	COIL	0.1μH
	K2002	NQL103K-R10X	COIL	0.1μH
	K2003	NQL103K-R10X	COIL	0.1μH
	K2004	NQL103K-R10X	COIL	0.1μH
	K2251	NRSA02J-0R0X	MG RESISTOR	0Ω,1/10W
	K2252	NRSA02J-0R0X	MG RESISTOR	0Ω,1/10W
	K2253	NRSA02J-0R0X	MG RESISTOR	0Ω,1/10W
	K5101	QQR0678-001Z	FERRITE BEAD	
	K5102	QQR0678-001Z	FERRITE BEAD	
	PC3001	GP3S123	IC(PHOTO SENSOR)	
	PC3002	GP3S123	IC(PHOTO SENSOR)	
△	PC5101	PC123F2	PH COUPLER	
	T2052	PELN0861	OSC TRANSFORMER	
△	T5001	QQS0057-001	SW TRANSFORMER	
	TU6001	QAU0208-002	TUNER	
	ET1	PQ21623-1-5	EARTH PLATE(RF)	
	HS1	LP40090-001A	HEAT SINK,IC5101	
	SD1	LP30720-001A	SHIELD CASE(PRE/REC)	
	OT1	QYTDSF3010Z	SCREW,X2 TERM.BOARD	
	OT2	PU59915-105	#500SPACER0.01,C45	
	OT3	QYTDST3006Z	SCREW,IC5101	
	FC5001	QNG0006-001Z	FUSE CLIP	
	FC5002	QNG0006-001Z	FUSE CLIP	
△	LF5001	PELN1204-01-01	LINE FILTER	
△	LF5002	QQR0608-001	LINE FILTER	
	CN1	QGF1028C1-11	FPC CONNECTOR,(1-11)U.DRUM	
	CN902	QGF1207C1-05	FPC CONNECTOR,(1-5)FRONT IN	
	CN903	QGB2024K1-12S	CONNECTOR,(1-12)TERMINAL	
	CN904	QGB2024K1-12S	CONNECTOR,(1-12)TERMINAL	
	CN905	QGB2024K1-05S	CONNECTOR,(1-5)TERMINAL	
	CN907	QGB2024K1-10S	CONNECTOR,(1-10)TERMINAL	
	CN2001	QGF1207C1-07	FPC CONNECTOR,(1-7)A/C HEAD	
	CN2002	QGB2532J1-02	CONNECTOR,(1-2)FE HEAD	
	CN2051	QGB2024K1-04S	CONNECTOR,(1-4)AUDIO ERASE	
	CN3001	QGF1207C1-05	FPC CONNECTOR,(1-5)DRUM MDA	
	CN3002	QGB2532J1-02	CONNECTOR,(1-2)LOADING MOTOR	
	CN3003	QGB2015M2-08	CONNECTOR,(1-8)CAPSTAN MOTOR	
	CN3004	QGB2534J2-04	CONNECTOR,(1-4)ROTARY ENCODER	
	CN3011	QGF1207C1-14	FPC CONNECTOR,(1-14)FRONT	
	CN3012	QGF1207C1-04	FPC CONNECTOR,(1-4)ADV.JOG	
△	CN5001	QGA7901C3-02	CONNECTOR,(1-2)AC IN	
△	CP4001	ICP-N25	CIRCUIT PROTECTOR	
△	CP5301	ICP-N38	CIRCUIT PROTECTOR	
△	CP5302	ICP-N25	CIRCUIT PROTECTOR	
	CP5303	QUY153-050Y	IM BUS WIRE	
△	F5001	QMF51E2-2R0J1	FUSE	T2.0A,AC250V

TERMINAL BOARD ASSEMBLY <06>

PW1	LPA10100-24A	TERMINAL BOARD ASSY
IC201	LC74775-9750	IC
IC901	BH7636S	IC
Q201	2SC4081/QRS/-X	TRANSISTOR
	or 2SD1819A/QRS/-X	TRANSISTOR

#	△ REF No.	PART No.	PART NAME, DESCRIPTION	
		or 2PC4081/R/-X	TRANSISTOR	
	Q202	2SA1576A/QR/-X	TRANSISTOR	
		or 2PA1576/R/-X	TRANSISTOR	
		or 2SB1218A/QR/-X	TRANSISTOR	
	Q207	2SB1218A/QR/-X	TRANSISTOR	
		or 2SA1576A/QR/-X	TRANSISTOR	
		or 2PA1576/R/-X	TRANSISTOR	
	Q902	2SB1218A/QR/-X	TRANSISTOR	
		or 2SA1576A/QR/-X	TRANSISTOR	
		or 2PA1576/R/-X	TRANSISTOR	
	Q909	2SB1218A/QR/-X	TRANSISTOR	
		or 2PA1576/R/-X	TRANSISTOR	
		or 2SA1576A/QR/-X	TRANSISTOR	
	D201	QRE141J-152Y	RESISTOR	1.5kΩ,1/4W
	D205	1SS133	DIODE	
	R202	NRSA02J-103X	MG RESISTOR	10kΩ,1/10W
	R208	NRSA02J-222X	MG RESISTOR	2.2kΩ,1/10W
	R209	NRSA02J-512X	MG RESISTOR	5.1kΩ,1/10W
	R210	NRSA02J-182X	MG RESISTOR	1.8kΩ,1/10W
	R211	NRSA02J-562X	MG RESISTOR	5.6kΩ,1/10W
	R212	NRSA02J-101X	MG RESISTOR	100Ω,1/10W
	R213	NRSA02J-0R0X	MG RESISTOR	0Ω,1/10W
	R214	NRSA02J-103X	MG RESISTOR	10kΩ,1/10W
	R216	NRSA02J-103X	MG RESISTOR	10kΩ,1/10W
	R218	NRSA02J-331X	MG RESISTOR	330Ω,1/10W
	R224	NRSA02J-221X	MG RESISTOR	220Ω,1/10W
	R225	NRSA02J-102X	MG RESISTOR	1kΩ,1/10W
	R226	NRSA02J-681X	MG RESISTOR	680Ω,1/10W
	R901	NRSA02J-750X	MG RESISTOR	75Ω,1/10W
	R902	NRSA02J-750X	MG RESISTOR	75Ω,1/10W
	R904	NQL402M-4R7X	COIL	4.7μH
	R905	NQL402M-4R7X	COIL	4.7μH
	R906	NQL402M-100X	COIL	10μH
	R907	NQL402M-100X	COIL	10μH
	R908	NRSA02J-0R0X	MG RESISTOR	0Ω,1/10W
	R909	NRSA02J-750X	MG RESISTOR	75Ω,1/10W
	R910	NRSA02J-750X	MG RESISTOR	75Ω,1/10W
	R912	NRSA02J-101X	MG RESISTOR	100Ω,1/10W
	R913	NRSA02J-101X	MG RESISTOR	100Ω,1/10W
	R914	NQL402M-100X	COIL	10μH
	R915	NQL402M-100X	COIL	10μH
	R916	NRSA02J-102X	MG RESISTOR	1kΩ,1/10W
	R917	NRSA02J-0R0X	MG RESISTOR	0Ω,1/10W
	R918	NRSA02J-0R0X	MG RESISTOR	0Ω,1/10W
	R931	NRSA02J-101X	MG RESISTOR	100Ω,1/10W
	R932	NRSA02J-511X	MG RESISTOR	510Ω,1/10W
	R933	NRSA02J-471X	MG RESISTOR	470Ω,1/10W
	R935	QRE141J-101Y	RESISTOR	100Ω,1/4W
	R936	NRSA02J-101X	MG RESISTOR	100Ω,1/10W
	R937	QRE141J-101Y	RESISTOR	100Ω,1/4W
	R938	QRE141J-101Y	RESISTOR	100Ω,1/4W
	R964	NRSA02J-101X	MG RESISTOR	100Ω,1/10W
	R965	NRSA02J-101X	MG RESISTOR	100Ω,1/10W
	B216	NRSA02J-0R0X	MG RESISTOR	0Ω,1/10W
	B902	QUY160-100Y	IM BUS WIRE	
	B905	QUY460-050H	FORMED BUS WIRE	
	C201	QEKJ0JM-227	E CAPACITOR	220μF,6.3V
	C204	NDC21HJ-100X	CAPACITOR	10pF,50V
	C206	NDC21HJ-330X	CAPACITOR	33pF,50V
	C207	NDC21HJ-330X	CAPACITOR	33pF,50V
	C209	NCB21CK-474X	CAPACITOR	0.47μF,16V

#	△ REF No.	PART No.	PART NAME, DESCRIPTION	
C210		NDC21HJ-101X	CAPACITOR	100pF,50V
C211		NDC21HJ-101X	CAPACITOR	100pF,50V
C212		NCB21EK-104X	CAPACITOR	0.1μF,25V
C213		QEKJ1EM-475	E CAPACITOR	4.7μF,25V
C214		NCB21CK-224X	CAPACITOR	0.22μF,16V
C215		NCB21CK-224X	CAPACITOR	0.22μF,16V
C216		QEKJ0JM-227	E CAPACITOR	220μF,6.3V
C217		NDC21HJ-560X	CAPACITOR	56pF,50V
C218		NCB21AK-105X	CAPACITOR	1μF,10V
C222		NCB21AK-105X	CAPACITOR	1μF,10V
C225		NCB21EK-104X	CAPACITOR	0.1μF,25V
C901		NCB21HK-331X	CAPACITOR	330pF,50V
C902		NCB21HK-331X	CAPACITOR	330pF,50V
C903		NCB21HK-471X	CAPACITOR	470pF,50V
C904		NCB21HK-471X	CAPACITOR	470pF,50V
C905		NCB21HK-331X	CAPACITOR	330pF,50V
C906		NCB21HK-331X	CAPACITOR	330pF,50V
C907		NCB21HK-471X	CAPACITOR	470pF,50V
C908		NCB21HK-471X	CAPACITOR	470pF,50V
C910		NCB21HK-102X	CAPACITOR	0.001μF,50V
C912		NCB21HK-102X	CAPACITOR	0.001μF,50V
C915		NCB21HK-103X	CAPACITOR	0.01μF,50V
C916		NCB21HK-223X	CAPACITOR	0.022μF,50V
C917		NCB21HK-223X	CAPACITOR	0.022μF,50V
C918		NCB21HK-223X	CAPACITOR	0.022μF,50V
C921		NDC21HJ-330X	CAPACITOR	33pF,50V
C925		NCB21HK-223X	CAPACITOR	0.022μF,50V
C935		NCB21HK-471X	CAPACITOR	470pF,50V
C936		NCB21HK-471X	CAPACITOR	470pF,50V
C937		NCB21HK-331X	CAPACITOR	330pF,50V
C938		NCB21HK-331X	CAPACITOR	330pF,50V
C939		NCB21HK-471X	CAPACITOR	470pF,50V
C940		NCB21HK-471X	CAPACITOR	470pF,50V
C943		QEKJ1CM-476	E CAPACITOR	47μF,16V
C945		QEKJ1CM-106	E CAPACITOR	10μF,16V
C947		QETJ0JM-477	E CAPACITOR	470μF,6.3V
C958		NCB21HK-331X	CAPACITOR	330pF,50V
C959		NCB21HK-331X	CAPACITOR	330pF,50V
L201		QQL29BK-1R0Z	COIL	1.0μH
L202		QQL071J-330Y	COIL	33μH
L203		QQL071J-220Y	COIL	22μH
L204		QQL29BJ-100Z	COIL	10μH
L205		QUY153-050Y	IM BUS WIRE	
L206		QQL071J-220Y	COIL	22μH
L901		QQL231J-R22Y	COIL	0.22μH
L902		QQL071J-1R0Y	COIL	1.0μH
L903		QQL071J-150Y	COIL	15μH
L904		QQL071J-150Y	COIL	15μH
L905		QUY153-050Y	IM BUS WIRE	
L907		QUY153-050Y	IM BUS WIRE	
L910		QQL071J-1R0Y	COIL	1.0μH
L913		QQL071J-4R7Y	COIL	4.7μH
L914		QQL071J-4R7Y	COIL	4.7μH
L915		QQL071J-4R7Y	COIL	4.7μH
L916		QQL071J-4R7Y	COIL	4.7μH
L917		QQL071J-4R7Y	COIL	4.7μH
L918		QQL071J-4R7Y	COIL	4.7μH
L919		QQL071J-4R7Y	COIL	4.7μH
L920		QQL071J-4R7Y	COIL	4.7μH
ET1		PQ21987-1-1	EARTH PLATE(TERM.)	
WR901		QUB320-07ZAZA	SIN TWIST WIRE	

#	△ REF No.	PART No.	PART NAME, DESCRIPTION
OT1		QYTDSF3008Z	SCREW,X8
△ TB1		LP30712-013A	TERM.BOARD ASSY
J901		PEMC1177	RGB21PIN SOCKET,AV1
J902		PEMC1177	RGB21PIN SOCKET,AV2
J912		QNN0023-003	PIN JACK,A.OUT(L)
J913		QNN0023-002	PIN JACK,A.OUT(R)
J923		PEMC1190	MINI JACK,JLIP
J924		QNS0150-001	2.5 JACK,LANC
J925		PU60659	MINI JACK,SAT.CTL
J926		PU60659	MINI JACK,R.PAUSE
CN912		QGF1208F1-08	FPC CONNECTOR,(1-8)NAVIGATION
CN913		QGB2024J1-12S	CONNECTOR,(1-12)MAIN
CN914		QGB2024J1-12S	CONNECTOR,(1-12)MAIN
CN915		QGB2024J1-05S	CONNECTOR,(1-5)MAIN
CN917		QGB2024J1-10S	CONNECTOR,(1-10)MAIN

A/C HEAD BOARD ASSEMBLY <12>

PW1	LPA10010-01A1	A/C HEAD BOARD ASSY
CN1	QGF1208F1-07	FPC CONNECTOR

DEMOD BOARD ASSEMBLY <14>

PW1	LPA10094-04A	DEMOD BOARD ASSY	
IC6701	MSP3417D	IC	
	or MSP3417DG3	IC	
Q6701	2SC3936/BC/-X	TRANSISTOR	
D6701	1SS133	DIODE	
	or 1N4148M	DIODE	
R6701	NRSA02J-392X	MG RESISTOR	3.9kΩ,1/10W
R6702	NRSA02J-682X	MG RESISTOR	6.8kΩ,1/10W
R6703	NRSA02J-470X	MG RESISTOR	47Ω,1/10W
R6704	NRSA02J-102X	MG RESISTOR	1kΩ,1/10W
R6705	NRSA02J-271X	MG RESISTOR	270Ω,1/10W
R6706	NRSA02J-101X	MG RESISTOR	100Ω,1/10W
R6707	NQR0200-003X	FERRITE BEAD	
R6708	NQR0200-003X	FERRITE BEAD	
R6709	NQR0200-003X	FERRITE BEAD	
R6710	NQR0200-003X	FERRITE BEAD	
R6711	NRSA02J-684X	MG RESISTOR	680kΩ,1/10W
R6712	NRSA02J-102X	MG RESISTOR	1kΩ,1/10W
R6714	NRSA02J-102X	MG RESISTOR	1kΩ,1/10W
R6716	NQR0200-003X	FERRITE BEAD	
R6719	QRE141J-103Y	RESISTOR	10kΩ,1/4W
R6720	NRSA02J-562X	MG RESISTOR	5.6kΩ,1/10W
R6721	NRSA02J-562X	MG RESISTOR	5.6kΩ,1/10W
C6701	NCB21HK-103X	CAPACITOR	0.01μF,50V
C6704	NCB21HK-103X	CAPACITOR	0.01μF,50V
C6705	NCB21HK-102X	CAPACITOR	0.001μF,50V
C6707	NDC21HJ-470X	CAPACITOR	47pF,50V
C6708	NDC21HJ-7R0X	CAPACITOR	7pF,50V
C6709	NDC21HJ-3R0X	CAPACITOR	3pF,50V
C6713	NCF21CZ-224X	CAPACITOR	0.22μF,16V
C6714	NCB21HK-222X	CAPACITOR	0.0022μF,50V

#	REF No.	PART No.	PART NAME, DESCRIPTION
C6715		QEKJ1HM-225	E CAPACITOR 2.2μF,50V
C6716		NCB21HK-222X	CAPACITOR 0.0022μF,50V
C6717		QEKJ1HM-225	E CAPACITOR 2.2μF,50V
C6719		QEKJ1EM-106	E CAPACITOR 10μF,25V
C6720		QEKJ1EM-106	E CAPACITOR 10μF,25V
C6721		NCB21HK-103X	CAPACITOR 0.01μF,50V
C6723		NCB21HK-103X	CAPACITOR 0.01μF,50V
L6701		QUY153-050Y	IM BUS WIRE
L6702		QQL231J-3R3Y	COIL 3.3μH
X6701		QAX0443-001	CRYSTAL RESONATOR
K6701		NRSA02J-330X	MG RESISTOR 33Ω,1/10W
K6702		NQR0200-003X	FERRITE BEAD
K6703		NRSA02J-102X	MG RESISTOR 1kΩ,1/10W
K6704		NRSA02J-102X	MG RESISTOR 1kΩ,1/10W
K6705		NRSA02J-100X	MG RESISTOR 10Ω,1/10W
K6706		NRSA02J-470X	MG RESISTOR 47Ω,1/10W
BK1		LP40425-001A	BRACKET(BOARD)
CN6701		QGG2502K1-10	HEADER PIN

NAVIGATION BOARD ASSEMBLY <19>

PW1	LPA10145-05A	NAVIGATION BOARD ASSY
IC3301	MN101C49GCH	IC
	or MN101CP49KAFCH	IC
	or MN101CP12GAFCH	IC
IC3401	74HC4053D	IC
IC3402	74HC4053D	IC
IC3403	AT45D011-SC-X	IC
IC3405	TC7W241FU	IC(DIGITAL)
IC3406	TC7W241FU	IC(DIGITAL)
D3401	RB751V-40-X	SB DIODE
D3402	RB751V-40-X	SB DIODE
D3407	1SS355	DIODE
R3302	NRSA02J-0R0X	MG RESISTOR 0Ω,1/10W
R3313	NRSA02J-0R0X	MG RESISTOR 0Ω,1/10W
R3321	NRSA02J-0R0X	MG RESISTOR 0Ω,1/10W
R3322	NRSA02J-0R0X	MG RESISTOR 0Ω,1/10W
R3323	NRSA02J-0R0X	MG RESISTOR 0Ω,1/10W
R3326	NRSA02J-102X	MG RESISTOR 1kΩ,1/10W
R3328	NRSA02J-0R0X	MG RESISTOR 0Ω,1/10W
R3329	NRSA02J-0R0X	MG RESISTOR 0Ω,1/10W
R3330	NRSA02J-0R0X	MG RESISTOR 0Ω,1/10W
R3331	NRSA02J-223X	MG RESISTOR 22kΩ,1/10W
R3332	NRSA02J-223X	MG RESISTOR 22kΩ,1/10W
R3333	NRSA02J-102X	MG RESISTOR 1kΩ,1/10W
R3339	NRSA02J-102X	MG RESISTOR 1kΩ,1/10W
R3340	NRSA02J-102X	MG RESISTOR 1kΩ,1/10W
R3342	NRSA02J-0R0X	MG RESISTOR 0Ω,1/10W
R3343	NRSA02J-0R0X	MG RESISTOR 0Ω,1/10W
R3345	NRSA02J-0R0X	MG RESISTOR 0Ω,1/10W
R3346	NRSA02J-0R0X	MG RESISTOR 0Ω,1/10W
R3347	NRSA02J-0R0X	MG RESISTOR 0Ω,1/10W
R3348	NRSA02J-0R0X	MG RESISTOR 0Ω,1/10W
R3349	NRSA02J-0R0X	MG RESISTOR 0Ω,1/10W
R3350	NRSA02J-0R0X	MG RESISTOR 0Ω,1/10W
R3351	NRSA02J-0R0X	MG RESISTOR 0Ω,1/10W
R3352	NRSA02J-0R0X	MG RESISTOR 0Ω,1/10W
R3371	NRSA02J-0R0X	MG RESISTOR 0Ω,1/10W

#	REF No.	PART No.	PART NAME, DESCRIPTION
R3372		NRSA02J-0R0X	MG RESISTOR 0Ω,1/10W
R3373		NRSA02J-0R0X	MG RESISTOR 0Ω,1/10W
R3386		NRSA02J-103X	MG RESISTOR 10kΩ,1/10W
R3401		NRSA02J-0R0X	MG RESISTOR 0Ω,1/10W
R3402		NRSA02J-0R0X	MG RESISTOR 0Ω,1/10W
R3403		NRSA02J-0R0X	MG RESISTOR 0Ω,1/10W
R3404		NRSA02J-0R0X	MG RESISTOR 0Ω,1/10W
R3412		NRSA02J-0R0X	MG RESISTOR 0Ω,1/10W
R3414		NRSA02J-0R0X	MG RESISTOR 0Ω,1/10W
R3415		NRSA02J-0R0X	MG RESISTOR 0Ω,1/10W
R3422		NRSA02J-0R0X	MG RESISTOR 0Ω,1/10W
R3432		NRSA02J-0R0X	MG RESISTOR 0Ω,1/10W
R3462		NRSA02J-103X	MG RESISTOR 10kΩ,1/10W
R3465		NRSA02J-472X	MG RESISTOR 4.7kΩ,1/10W
R3466		NRSA02J-0R0X	MG RESISTOR 0Ω,1/10W
R3468		NRSA02J-103X	MG RESISTOR 10kΩ,1/10W
R3472		NRSA02J-472X	MG RESISTOR 4.7kΩ,1/10W
R3475		NRSA02J-103X	MG RESISTOR 10kΩ,1/10W
B3301		NRSA02J-0R0X	MG RESISTOR 0Ω,1/10W
B3405		NRSA02J-0R0X	MG RESISTOR 0Ω,1/10W
B3406		NRSA02J-0R0X	MG RESISTOR 0Ω,1/10W
B3407		NRSA02J-0R0X	MG RESISTOR 0Ω,1/10W
B3408		NRSA02J-0R0X	MG RESISTOR 0Ω,1/10W
B3409		NRSA02J-0R0X	MG RESISTOR 0Ω,1/10W
B3410		NRSA02J-0R0X	MG RESISTOR 0Ω,1/10W
C3312		NDC21HJ-120X	CAPACITOR 12pF,50V
C3313		NDC21HJ-120X	CAPACITOR 12pF,50V
C3314		NCB21EK-104X	CAPACITOR 0.1μF,25V
C3321		NDC21HJ-220X	CAPACITOR 22pF,50V
C3322		NDC21HJ-220X	CAPACITOR 22pF,50V
C3323		NDC21HJ-220X	CAPACITOR 22pF,50V
C3333		NCB21EK-104X	CAPACITOR 0.1μF,25V
C3345		NDC21HJ-220X	CAPACITOR 22pF,50V
C3346		NDC21HJ-220X	CAPACITOR 22pF,50V
C3347		NDC21HJ-220X	CAPACITOR 22pF,50V
C3401		QEKJ0JM-226	E CAPACITOR 22μF,6.3V
C3402		NCB21EK-104X	CAPACITOR 0.1μF,25V
C3403		NCB21EK-104X	CAPACITOR 0.1μF,25V
C3404		NCB21EK-104X	CAPACITOR 0.1μF,25V
C3405		NCB21EK-104X	CAPACITOR 0.1μF,25V
C3414		NCB21EK-104X	CAPACITOR 0.1μF,25V
X3301		QAX0584-001	CRYSTAL RESONATOR
BK1		LP40425-001A	BRACKET(PWB)
CN3401		QGG2502K1-13	HEADER PIN
CN3402		QGF1207F1-08	FPC CONNECTOR,(1-8)TERMINAL

SW/DISPLAY BOARD ASSEMBLY <28>

PW1	LPA10148-02B1	SW/DISPLAY BOARD ASSY
IC7001	M35500BFP	IC
	or M35500AGP	IC
	or M35500BGP	IC
IC7002	GP1U281X	IR DETECT UNIT
	or PNA4652M00XB	IR DETECT UNIT
D7002	RD9.1ES/B2/-T2	ZENER DIODE
	or MTZJ9.1B	ZENER DIODE
D7005	1SS133	DIODE
	or 1SS270A	DIODE

#	REF No.	PART No.	PART NAME, DESCRIPTION
D7008		QUY153-050Y	IM BUS WIRE
D7010		SLR-342VC3F	LE DIODE,SAT.TIMER
R7001		QRE141J-471Y	RESISTOR 470Ω,1/4W
R7002		QRE141J-471Y	RESISTOR 470Ω,1/4W
R7003		QRE141J-471Y	RESISTOR 470Ω,1/4W
R7004		QRE141J-471Y	RESISTOR 470Ω,1/4W
R7005		QRE141J-103Y	RESISTOR 10kΩ,1/4W
R7006		QRE141J-103Y	RESISTOR 10kΩ,1/4W
R7007		QRE141J-103Y	RESISTOR 10kΩ,1/4W
R7008		QRE141J-103Y	RESISTOR 10kΩ,1/4W
R7013		QRE141J-103Y	RESISTOR 10kΩ,1/4W
R7014		QUY153-050Y	IM BUS WIRE
R7015		QUY153-050Y	IM BUS WIRE
R7020		QRE141J-103Y	RESISTOR 10kΩ,1/4W
R7021		QRE141J-122Y	RESISTOR 1.2kΩ,1/4W
R7022		QRE141J-182Y	RESISTOR 1.8kΩ,1/4W
R7023		QRE141J-222Y	RESISTOR 2.2kΩ,1/4W
R7024		QRE141J-272Y	RESISTOR 2.7kΩ,1/4W
R7025		QRE141J-472Y	RESISTOR 4.7kΩ,1/4W
R7026		QRE141J-682Y	RESISTOR 6.8kΩ,1/4W
R7027		QRE141J-153Y	RESISTOR 15kΩ,1/4W
R7028		QRE141J-393Y	RESISTOR 39kΩ,1/4W
R7030		QRE141J-103Y	RESISTOR 10kΩ,1/4W
R7031		QRE141J-122Y	RESISTOR 1.2kΩ,1/4W
R7032		QRE141J-182Y	RESISTOR 1.8kΩ,1/4W
R7033		QRE141J-222Y	RESISTOR 2.2kΩ,1/4W
R7034		QRE141J-272Y	RESISTOR 2.7kΩ,1/4W
R7035		QRE141J-472Y	RESISTOR 4.7kΩ,1/4W
R7036		QRE141J-682Y	RESISTOR 6.8kΩ,1/4W
R7037		QRE141J-563Y	RESISTOR 56kΩ,1/4W
R7041		QRE141J-331Y	RESISTOR 330Ω,1/4W
B7001		QUY153-050Y	IM BUS WIRE
B7003		QUY160-100Y	IM BUS WIRE
C7001		QCFB1HZ-104	CAPACITOR 0.1μF,50V
C7007		QETN1HM-476	E CAPACITOR 47μF,50V
C7009		QCSB1HJ-150	CAPACITOR 15pF,50V
C7010		QCFB1HZ-104	CAPACITOR 0.1μF,50V
C7011		QETN1AM-227	E CAPACITOR 220μF,10V
C7019		QDVB1EZ-223Y	CAPACITOR 0.022μF,25V
C7023		QK1HM-106	E CAPACITOR 10μF,50V
L7001		QQL29BK-1R0Z	COIL 1.0μH
S7001		QSW0456-002Z	TACT SWITCH,POWER
S7002		QSW0456-002Z	TACT SWITCH,MARK
S7003		QSW0456-002Z	TACT SWITCH,ERASE
S7004		QSW0456-002Z	TACT SWITCH,REC
S7005		QSW0456-002Z	TACT SWITCH,PAUSE
S7006		QSW0456-002Z	TACT SWITCH,PLAY
S7007		QSW0456-002Z	TACT SWITCH,24H TIMER
S7008		QSW0456-002Z	TACT SWITCH,A.DUB
S7009		QSW0456-002Z	TACT SWITCH,INSERT
S7010		QSW0456-002Z	TACT SWITCH,STOP/EJECT
S7011		QSW0456-002Z	TACT SWITCH,TIMER
S7012		QSW0456-002Z	TACT SWITCH,DISPLAY
S7013		QSW0456-002Z	TACT SWITCH,SAT.TIMER
S7014		QSW0456-002Z	TACT SWITCH,C.RESET
S7015		QSW0456-002Z	TACT SWITCH,SYNC.EDIT
DI7001		QLF0032-002	FL TUBE
HD1		LP30428-001A	FDP HOLDER(L),DI7001
HD2		LP30429-001A	FDP HOLDER(R),DI7001
HD3		PQM30038-2-2	LED HOLDER,D7010
CN7001		QGF1201C2-14	FPC CONNECTOR,(1-14)MAIN

REF No. PART No. PART NAME, DESCRIPTION

REC SAFETY BOARD ASSEMBLY <32>

PW3	LPA10148-01A3	REC SAFETY BOARD ASSY
S7041	QSW0602-004	PUSH SWITCH,REC SAFETY
FW7001	QUM022-07A4A4	P.R. WIRE,SW/DISPLAY

JACK BOARD ASSEMBLY <36>

PW2	LPA10148-02A2	JACK BOARD ASSY
R7192	QUY153-050Y	IM BUS WIRE
C7192	QCBB1HK-681	CAPACITOR 680pF,50V
C7194	QCBB1HK-681	CAPACITOR 680pF,50V
L7191	QRE141J-101Y	RESISTOR 100Ω,1/4W
L7192	QRE141J-101Y	RESISTOR 100Ω,1/4W
L7193	QUY153-050Y	IM BUS WIRE
L7194	QUY153-050Y	IM BUS WIRE
J7191	QNN0418-004	PIN JACK,FRONT V IN
J7192	QNN0418-003	PIN JACK,FRONT L IN
J7193	QNN0419-002	PIN JACK,FRONT R IN
CN7191	QGF1201C1-05	FPC CONNECTOR,(7-11)MAIN

ADV.JOG BOARD ASSEMBLY <38>

PW4	LPA10148-01A4	ADV.JOG BOARD ASSY
UN7001	QSW0905-001	ROTARY ENCODER
CN7004	QGF1208F1-04	FPC CONNECTOR,(1-4)MAIN

AUDIO ERASE BOARD ASSEMBLY <46>

PW2	LPA10147-01A2	AUDIO ERASE BOARD ASSY
Q2051	2SC4081/QRS/-X	TRANSISTOR
	or 2PC4081/R/-X	TRANSISTOR
	or 2SD1819A/QRS/-X	TRANSISTOR
R2054	NRSA02J-153X	MG RESISTOR 15kΩ,1/10W
R2055	NRSA02J-3R3X	MG RESISTOR 3.3Ω,1/10W
C2052	QFLC1HJ-333Z	F CAPACITOR 0.033μF,50V
C2053	NCB21HK-332X	CAPACITOR 0.0033μF,50V
C2054	NCB21HK-103X	CAPACITOR 0.01μF,50V
C2055	QEKJ1EM-106	E CAPACITOR 10μF,25V
T2051	PELN0860	OSC TRANSFORMER
CN2052	QGB2024J1-04S	CONNECTOR,(1-4)MAIN

LOADING MOTOR BOARD ASSEMBLY <55>

PW2	LPA10010-01A2	LOADING MOTOR BOARD ASSY
CN1	QGB2533K1-02	CONNECTOR

